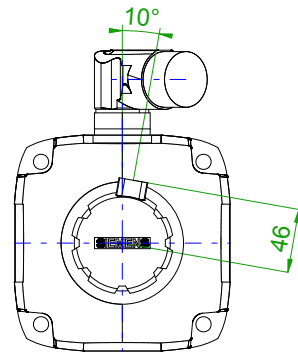
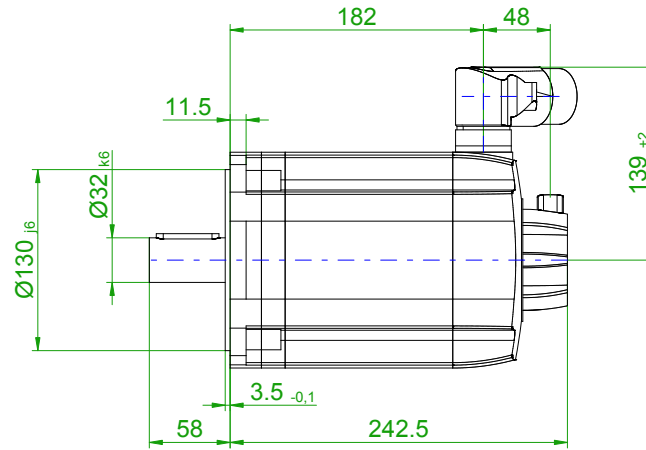
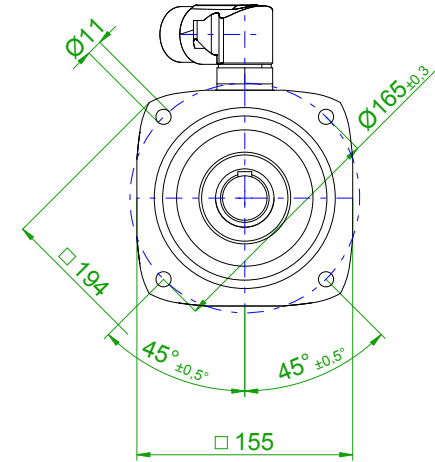


back view

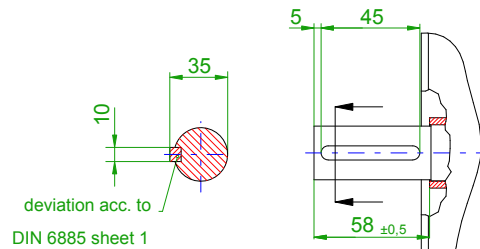


front view

center hole
DIN 332-DR M12

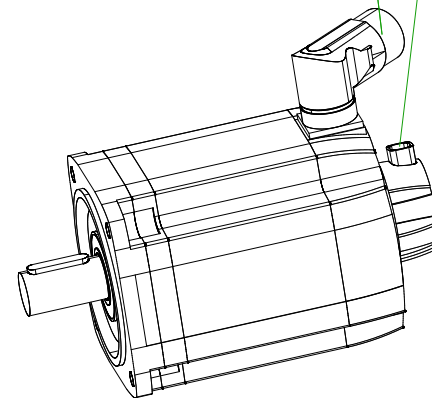


version with featherkey

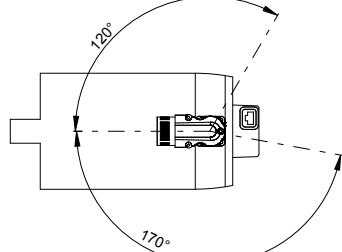


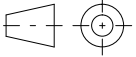
6-pole plug size 1.5
for power

10-pole
signal plug



rotating angle of the plug



		SIEMENS	
Einheit / unit: mm	Synchron-Servomotor Synchronous Servo Motor:	1FT7084-5AH71-1CA2	
nicht tolerierte Maße / not toleranced dimensions:	Optionen / options:	Gewicht / mass: 20.8 kg	
Maßstab / scale: ohne / without	Bemerkung / notice:		
CAD CREATOR 2.2 (WWW-Version V02.20.00.00)	Druckdatum / print date:	06.02.2020	