



Reduced voltage pump panel with MCP
 Two step part winding
 NEMA controller size 3
 Maximum voltage rating 600VAC
 Max Hp 60Hz: NA@200V; 50@230V; NA@460V; NA@575V
 Solid-state overload relay
 Control voltage 190–220/220–240V 50/60Hz
 NEMA Type 3/3R enclosure



Image is representative and may not depict the actual product.

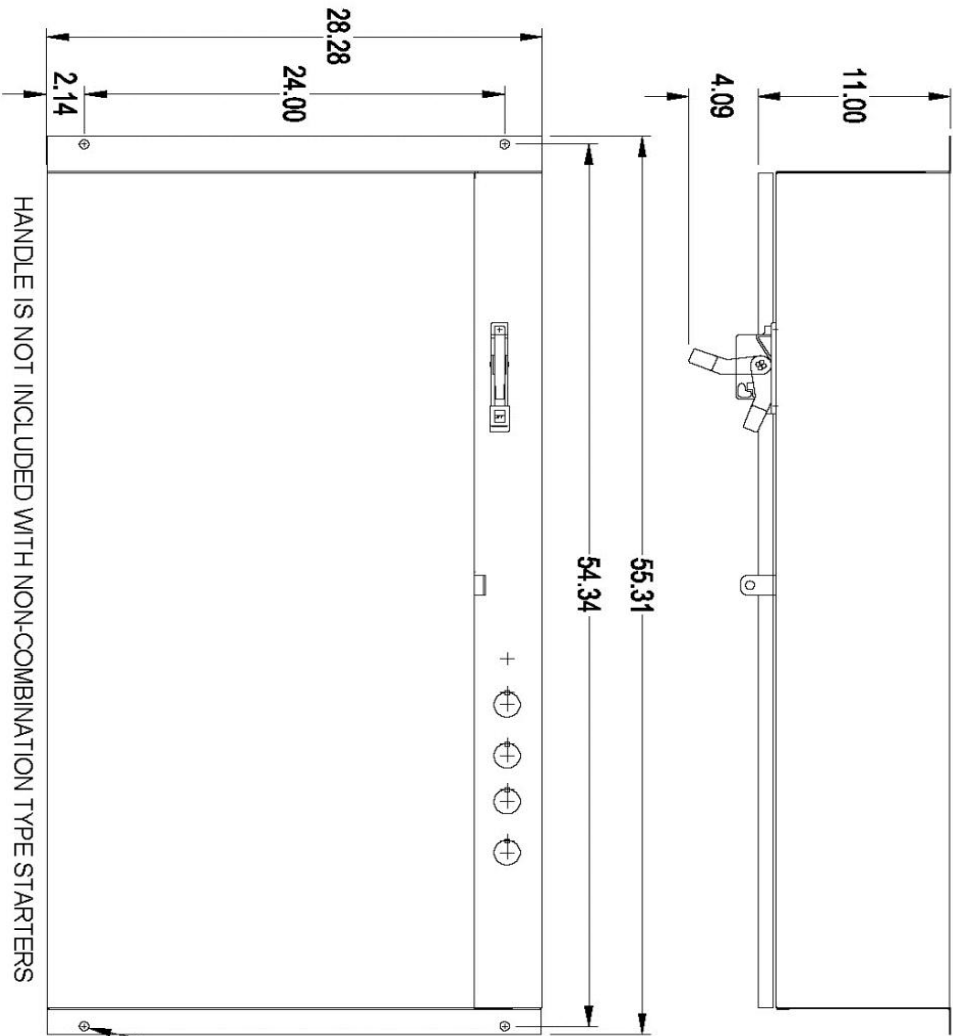
| | |
|---|--|
| General technical data: | |
| Weight | 168 lb |
| Height x Width x Depth | 55 x 28 x 11 in. |
| Finger-safe (main circuit / control circuit) | NA / NA |
| Maximum altitude | 6560 ft |
| Ambient storage temperature | (-30 to 65)°C / (-22 to 149)°F |
| Ambient operating temperature | (-20 to 40)°C / (-4 to 104)°F |
| Humidity (% non-condensing) | (no data) |
| Rated impulse voltage resistance | (no data) |
| Rated insulation voltage | (no data) |
| Country of origin | USA |
| Contactors: | |
| Number of NO main contacts | 3 |
| Amp rating | 90A |
| Mechanical operating cycles | 5,000,000 |
| Internal/standard auxiliary contact: | |
| Number of NC / NO auxiliary contacts | 0NC / 1NO |
| Rating | 10A@600VAC (A600), 5A@600VDC (P600) |
| Optional auxiliary contact: | |
| Max number of NC / NO auxiliary contacts | 7 total |
| Rating | 10A@600VAC (A600), 5A@600VDC (P600) |
| Coil: | |
| Voltage | 190–220/220–240V 50/60Hz Coil |
| Sealed watts | 14W |
| Inrush / sealed power | 310 / 26 VA |
| Normal coil operating limits (% of rated voltage) | 85% - 110% |
| Typical drop-out volts (% of rated voltage) | 50% |
| Pick-up time / Drop-out time | 26-41 / 14-19 msec |
| Overload Relay: | |
| Current range | 25–100A |
| Trip Class | Class 5 / 10 (factory set) / 20 / 30 |
| Trip detection | Overload, phase failure, phase unbalance, ground fault |
| Phase failure sensitivity | Trip time after phase-loss: < 3 sec |
| Repeat accuracy | Within 1% |
| Reset options | Manual, automatic and remote |
| External reset | Yes |
| Test function | Electronics & manual actuation |
| Conformal coating on printed circuit board | Yes |
| Number of NC / NO auxiliary contacts per overload relay | 1NC / 1NO |
| Rating of auxiliary contacts | 5A@600VAC (B600), 1A@250VDC (R300) |
| Single contact isolation | 600V |
| Dual contact isolation | 300V differing polarity / 600V common polarity |

| | |
|--|---|
| Motor Circuit Protector (magnetic trip only): | |
| Rating | 150A |
| Instantaneous trip range | 800 - 1500A |
| Enclosure: | |
| Type | NEMA Type 3/3R enclosure |
| Rating | Weather proof for outdoor use |
| Mounting/wiring: | |
| Mounting orientation | Vertical |
| Mounting type | Surface |
| Line side connection type / torque | Box lug / (refer to actual product for torque specs) |
| Line side solid & stranded conductors | 1x(6 AWG - 350 Kcmil) 75°C CU or 1x(4 AWG - 350 Kcmil) 75°C AL |
| Load side connection type / torque | Box lug / 120 lb-in. |
| Load side solid & stranded conductors | 1x(14 - 2/0 AWG) 75°C AL or CU |
| Coil connection type / torque | Screw / 5 lb in. - 12 lb in. |
| Coil solid & stranded conductors | 2 x (16 - 12 AWG) CU 60/75°C |
| Main auxiliary contact connection type / torque | Screw / 10 - 15 lb-in |
| Main auxiliary contact solid & stranded conductors | 1 x (12 AWG), 2 x (16 - 14 AWG), 2 x (18 - 16 AWG) 75°C CU |
| OLR auxiliary contact connection type / torque | Screw / 7 lb in. - 10 lb in. |
| OLR auxiliary contact solid & stranded conductors | 2 x (20 - 14 AWG) CU 60/75°C |
| Short circuit current rating: | |
| Factory installed motor circuit protector | 100kA@480V; 25kA@600V |
| Certificates/approvals: | |
| | UL (file no. E185287) cUL (file no. E185287 for Canada) CSA (file no. 006535_C_000) ISO 9001 certification |
| Additional information: | |
| | Brochure OLR instruction sheet & trip curves |

SIEMENS

49EB3610552911 Outline 55X29X11 NEMA 1,3R,4,4X,12

E87010-A0320-T005-A4-49EB



MOUNTING HOLES FOR
1/4" SCREWS QTY. 4

HANDLE IS NOT INCLUDED WITH NON-COMBINATION TYPE STARTERS

DIMENSIONS ARE IN INCHES.

REF. D68374002

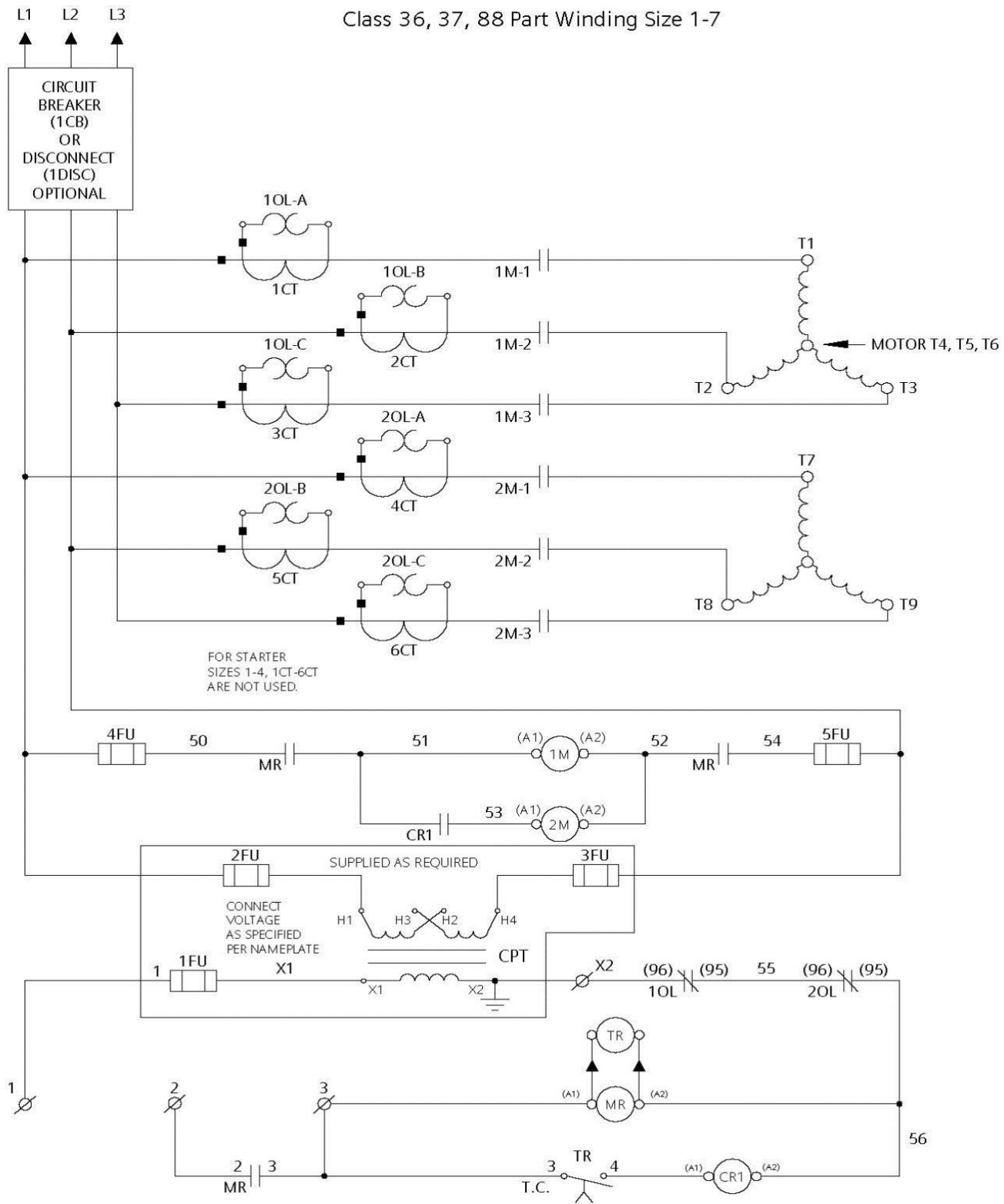
Siemens Industry, Inc. 5300 Triangle Parkway, Norcross, GA 30092

ASE2299749A-003

SEE NOTE A
3 PHASE 50/60 HZ

SCHEMATIC DIAGRAM

Class 36, 37, 88 Part Winding Size 1-7



REF. D68854008