

Basic switch for position switch 3SE5162 Metal enclosure XL, 56 mm wide Device connection 3x(M20 x 1.5) IP66/IP67 2 x (1 NO/2 NC) Slow-action contacts without actuator head



Product brand name	SIRIUS
Product designation	Mechanical safety switches
Product type designation	3SE5
Manufacturer's article number	<ul style="list-style-type: none"> • of the supplied basic switch 3SE5162-0BA00 • of the supplied switching contacts 1x 3SE5000-0BA00, 1x 3SE5060-0BA00 • of the supplied empty enclosure with cover 3SE5162-0AA00
Suitability for use safety switch	Yes

General technical data	
Product function	<ul style="list-style-type: none"> • positive opening Yes
Degree of pollution	class 3
Surge voltage resistance rated value	6 kV
Protection class IP	IP66/IP67
Shock resistance	<ul style="list-style-type: none"> • acc. to IEC 60068-2-27 30 g / 11 ms
Mechanical service life (switching cycles)	<ul style="list-style-type: none"> • typical 5 000 000
Electrical endurance (switching cycles)	

• at AC-15 at 230 V typical	100 000
Electrical endurance (switching cycles) with contactor 3RH11, 3RT1016, 3RT1017, 3RT1024, 3RT1025, 3RT1026 typical	5 000 000
Electrical operating cycles in one hour with contactor 3RH11, 3RT1016, 3RT1017, 3RT1024, 3RT1025, 3RT1026	6 000
Thermal current	10 A
Reference code acc. to DIN EN 81346-2	B
Reference code acc. to DIN EN 61346-2	B
Continuous current of the C characteristic MCB	1 A; for a short-circuit current smaller than 400 A
Continuous current of the quick DIAZED fuse link	10 A; for a short-circuit current smaller than 400 A
Continuous current of the DIAZED fuse link gG	6 A
Active principle	mechanical
Repeat accuracy	0.05 mm
Minimum actuating force in activation direction	30 N
Length of the sensor	107.7 mm
Width of the sensor	56 mm
Design of the switching contact	mechanical
Operating frequency rated value	50 ... 60 Hz
Number of NC contacts for auxiliary contacts	2
Number of NO contacts for auxiliary contacts	2
Number of CO contacts for auxiliary contacts	1
Operating current at AC-15	
• at 24 V rated value	6 A
• at 125 V rated value	6 A
• at 240 V rated value	6 A
• at 400 V rated value	4 A
Operating current at DC-13	
• at 24 V rated value	3 A
• at 125 V rated value	0.55 A
• at 250 V rated value	0.27 A
• at 400 V rated value	0.12 A
Design of the interface for safety-related communication	without

Enclosure

Design of the housing	block, wide
Material of the enclosure	metal
Coating of the enclosure	cathodic immersion coating
Design of the housing acc. to standard	No

Drive Head

Design of the operating mechanism	Other, without, basic switch
Design of the switching function	Positive opening with appropriate positive opening actuator head

Circuit principle	slow-action contacts
Number of switching contacts safety-related	2

Connections/ Terminals

Type of electrical connection	screw-type terminals
Type of connectable conductor cross-sections	
<ul style="list-style-type: none"> • solid • finely stranded with core end processing • at AWG conductors solid • at AWG conductors stranded 	1x (0.5 ... 1.5 mm ²), 2x (0.5 ... 0.75 mm ²) 1x (0.5 ... 1.5 mm ²), 2x (0.5 ... 0.75 mm ²) 1x (20 ... 16), 2x (20 ... 18) 1x (20 ... 16), 2x (20 ... 18)
Cable entry type	3 x (M20 x 1.5)

Communication/ Protocol

Design of the interface	without
--------------------------------	---------

Ambient conditions

Explosion protection category for dust	none
---	------

Installation/ mounting/ dimensions

Mounting position	any
Mounting type	screw fixing

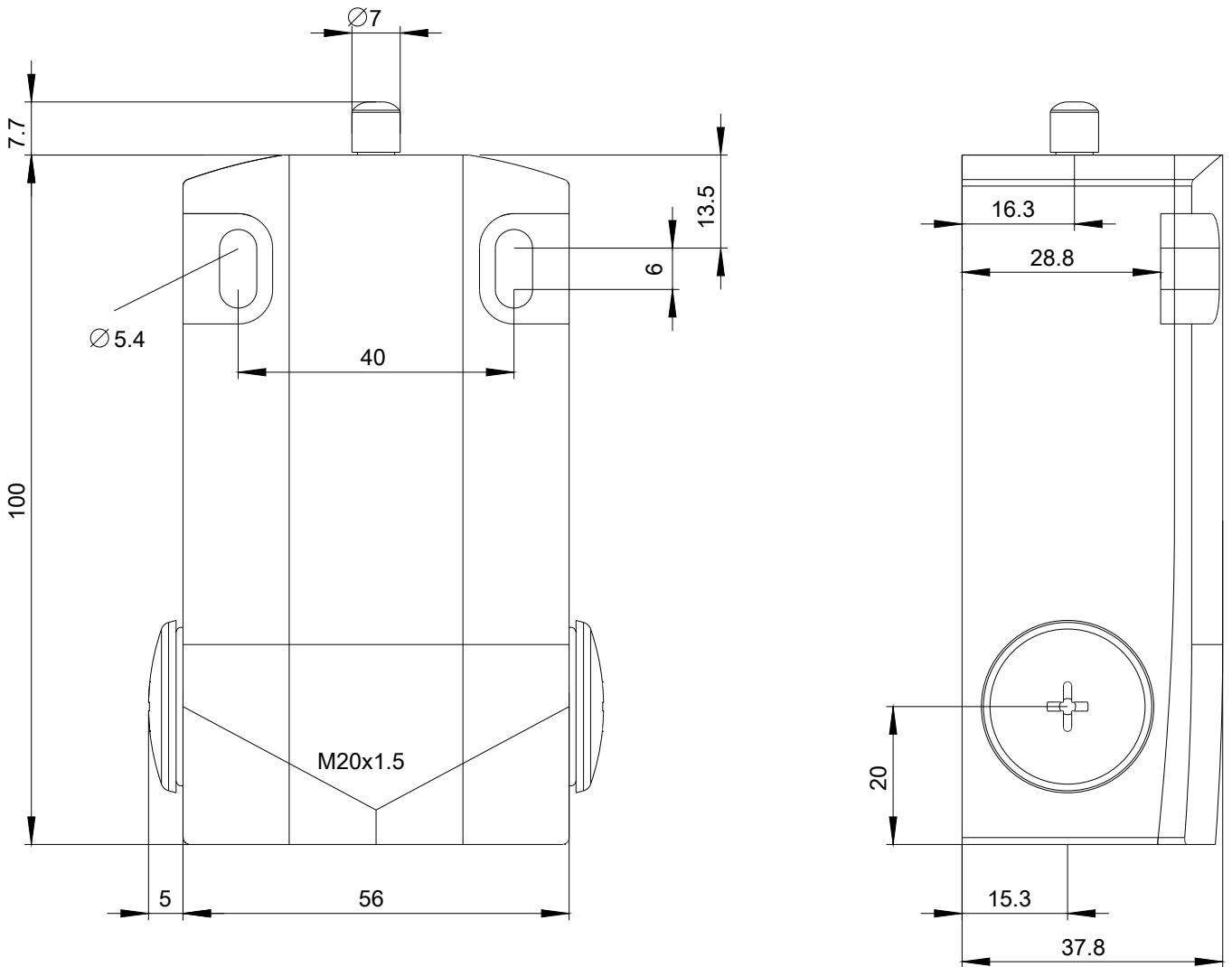
Certificates/ approvals

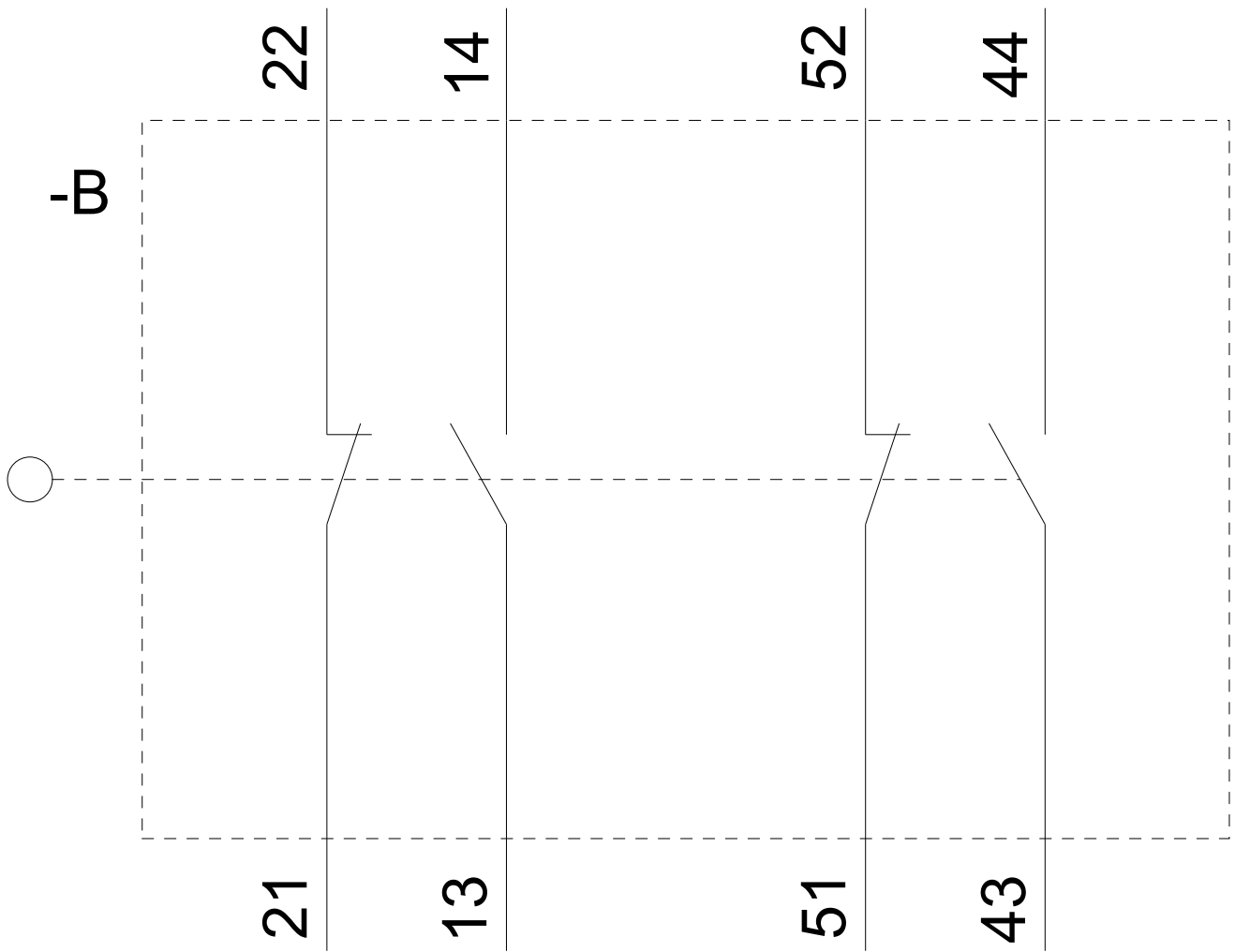
General Product Approval	Functional Safety/Safety of Machinery	Declaration of Conformity
 CCC	 CSA	 UL
 EAC		Type Examination Certificate  EG-Konf.

Declaration of Conformity	Test Certificates	other
Miscellaneous	Type Test Certificates/Test Report	Confirmation

Further information

- Information- and Downloadcenter (Catalogs, Brochures,...)**
www.siemens.com/sirius/catalogs
- Industry Mall (Online ordering system)**
<https://mall.industry.siemens.com/mall/en/en/Catalog/product?mlfb=3SE5162-0BA00>
- Cax online generator**
<http://support.automation.siemens.com/WW/CAXorder/default.aspx?lang=en&mlfb=3SE5162-0BA00>
- Service&Support (Manuals, Certificates, Characteristics, FAQs,...)**
<https://support.industry.siemens.com/cs/ww/en/ps/3SE5162-0BA00>





last modified:

07/26/2019