

22MM METAL ROUND INDICATOR: INDICATOR LIGHT WITH CONCENTRIC RINGS ILLUMINABLE WITH HOLDER AMBER

<b>Design of the product</b>	Single device round
<b>Enclosure:</b>	
Number of control points	0
<b>Actuator:</b>	
Design of the operating mechanism	indicator light
Product expansion optional Light source	Yes
Color	
• of the actuating element	Amber
Material of the actuating element	plastic
Shape of the actuating element	Concentric rings
Outer diameter of the actuating element	28 mm
Number of switching positions	0
<b>Front ring:</b>	
Product component front ring	No
<b>Holder:</b>	
Material of the holder	Metal
<b>General technical data:</b>	
Product function	
• EMERGENCY OFF function	No
• EMERGENCY STOP function	No
Vibration resistance	
• acc. to IEC 60068-2-6	20 ... 200 Hz: 5g
Protection class IP	IP67

<b>Equipment marking</b>	
• acc. to DIN 40719 extended according to IEC 204-2 acc. to IEC 750	H
• acc. to DIN EN 61346-2	P
• acc. to DIN EN 81346-2	P






### Ambient conditions:

<b>Ambient temperature</b>	
• during operation	-25 ... +70 °C
• during storage	-40 ... +80 °C
<b>Environmental category during operation acc. to IEC 60721</b>	3K6

### Installation/ mounting/ dimensions:

<b>Mounting type</b>	front mounting
<b>Shape of the installation opening</b>	round
<b>Mounting diameter</b>	22 mm

### Certificates/ approvals:

General Product Approval	Declaration of Conformity	Test Certificates	Shipping Approval
 CSA	 UL		 EG-Konf.
		<a href="#">Special Test Certificate</a>	 ABS

Shipping Approval	other
 DNV	 LRS
 PRS	 RINA
	<a href="#">Confirmation</a>
	<a href="#">Environmental Confirmations</a>

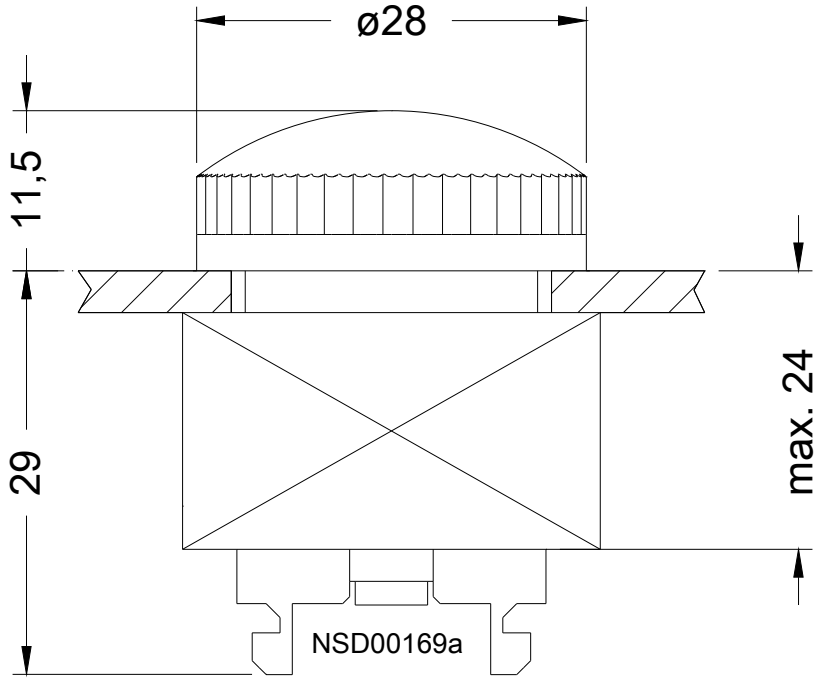
<b>other</b>
<a href="#">other</a>

### Further information

**Information- and Downloadcenter (Catalogs, Brochures,...)**  
<http://www.siemens.com/industrial-controls/catalogs>

**Industry Mall (Online ordering system)**  
<http://www.siemens.com/industrymall>

**Cax online generator**  
<http://support.automation.siemens.com/WW/CAXorder/default.aspx?lang=en&mlfb=3SB35016BA00>



last modified:

02.06.2015