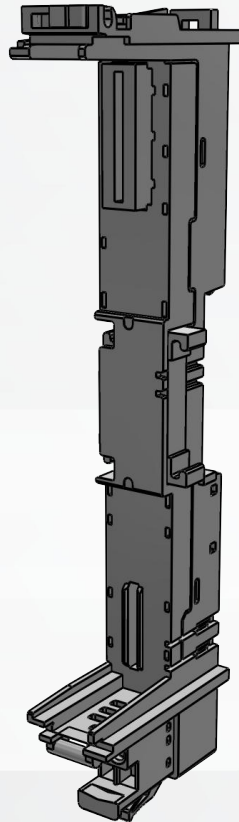


5034 Point I/O

Catalog number: 5034-MBSA



5034 Mounting Base 15mm With Sa Supply

expanding human possibility™



Allen-Bradley



FactoryTalk



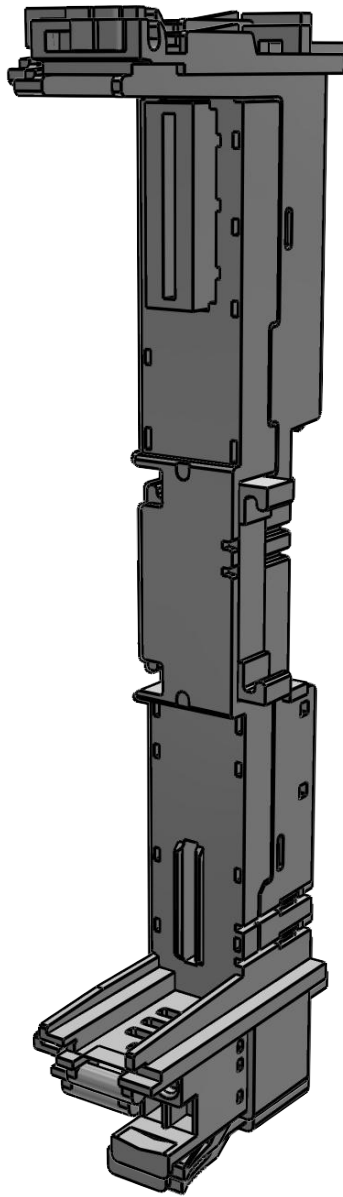
**LIFECYCLEIQ™
Services**

Product Details

	5034-MBSA
Description	5034 Mounting Base 15mm With Sa Supply
Nett Product Weight	0.037



3D View



Interactive 3D graphic, click to activate and rotate.

expanding human possibility™



Allen-Bradley

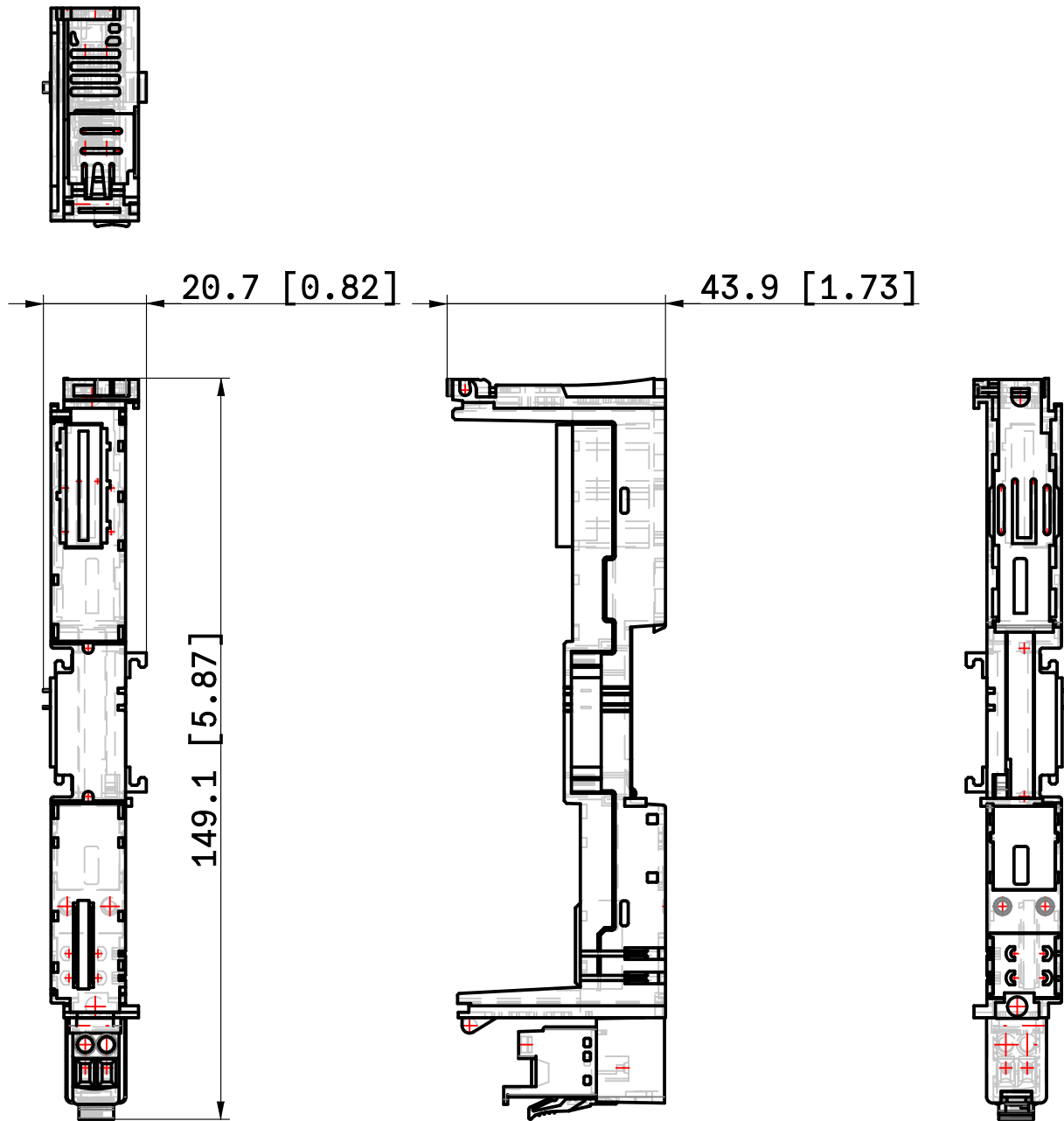


FactoryTalk



**LIFECYCLEIQ™
Services**

2D derivation



expanding human possibility™