

AS-Interface coupling module PG with 4 entries PG11 for standard round cable

General technical data		
Type of device		accessories digital I/O modules for operation in the field, IP67 - user modules
design of the product		PG coupling module
operating voltage according to AS-Interface specification	V	26.5 ... 31.6
Note		When using AS-Interface flat cables, shaped PG seals are required (3RX9 805-0AA00)
Scope of supply		1 × coupling module, 4 × insertion nuts, 2 × cable glands PG11, 3 × screw plugs
Connections/ Terminals		
type of electrical connection		PG gland
AS interface		EMS
• interface		
Mechanical data		
Type of mounting		for wall and standard rail mounting
Contacts Load rating max	A	4
Ambient conditions		
ambient temperature	°C	-25 ... +85
degree of protection		IP67
Certificates/ approvals		
General Product Approval	EMV	Marine / Shipping



EG-Konf.




[Confirmation](#)



[KC](#)



DNV

Marine / Shipping	other	Environment
	Confirmation	Environmental Confirmations

Further information

Information on the packaging

<https://support.industry.siemens.com/cs/ww/en/view/109813875>

Information- and Downloadcenter (Catalogs, Brochures,...)

<https://www.siemens.com/ic10>

Industry Mall (Online ordering system)

<https://mall.industry.siemens.com/mall/en/en/Catalog/product?mlfb=3RG9220-0AA00>

Cax online generator

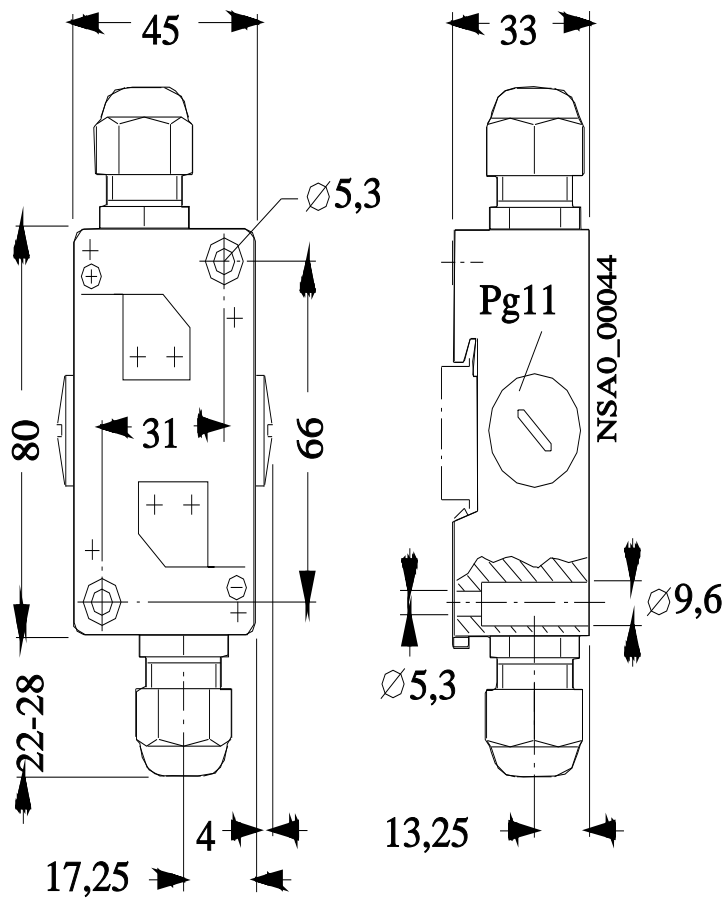
<http://support.automation.siemens.com/WWW/CAXorder/default.aspx?lang=en&mlfb=3RG9220-0AA00>

Service&Support (Manuals, Certificates, Characteristics, FAQs,...)

<https://support.industry.siemens.com/cs/ww/en/ps/3RG9220-0AA00>

Image database (product images, 2D dimension drawings, 3D models, device circuit diagrams, EPLAN macros, ...)

http://www.automation.siemens.com/bilddb/cax_de.aspx?mlfb=3RG9220-0AA00&lang=en



last modified:

12/23/2020 