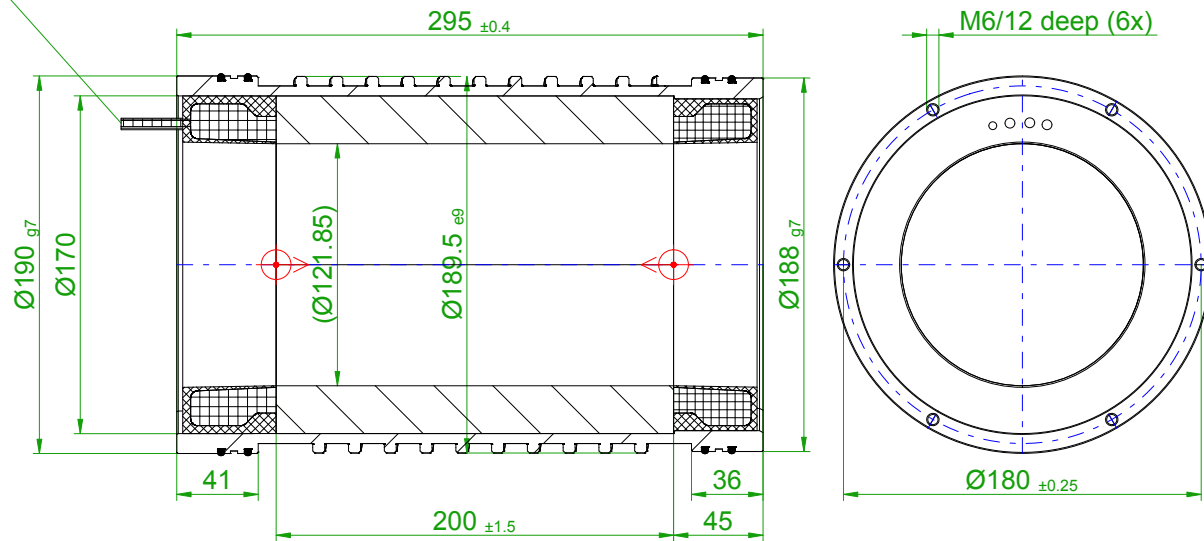


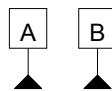
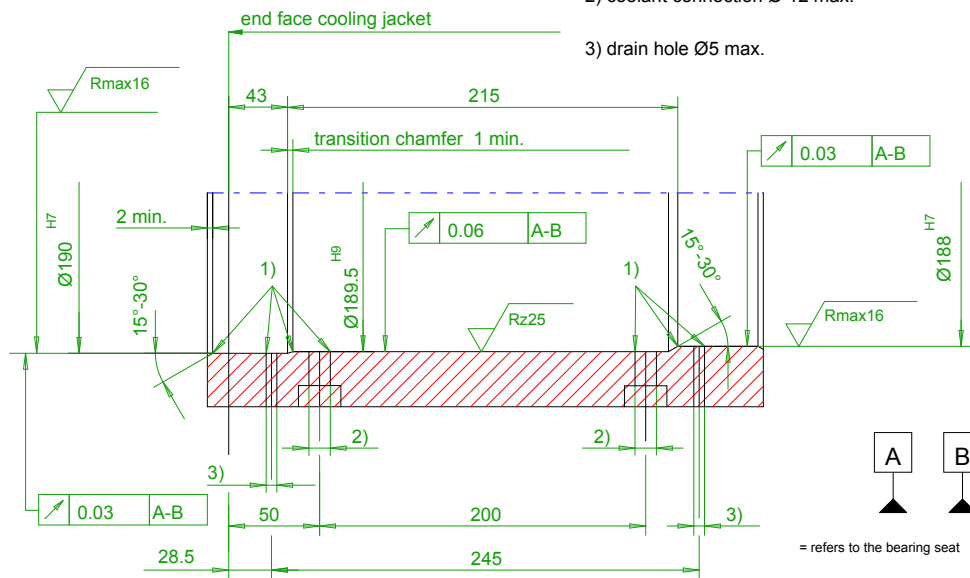
free cables 1500 mm
for cable type see
configuration manual



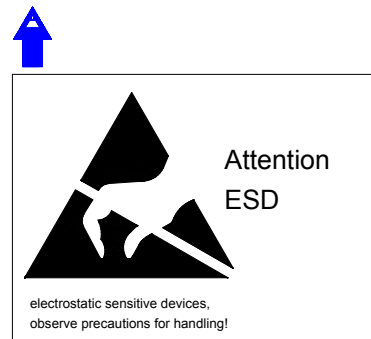
coolant
inlet/outlet

interface instructions
stator interface dimensions

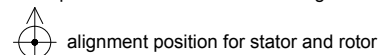
- 1) edges fillet $R_{max} 16$
- 2) coolant connection $\varnothing 12$ max.
- 3) drain hole $\varnothing 5$ max.



= refers to the bearing seat

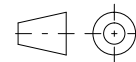


temperature-sensors can be damaged



scope of delivery with o-ring-seals

enclosure IP00



SIEMENS

Einheit / unit: mm

Einbau-Synchronmotor, Stator
Built-in synchronous motor, stator:

1FE1084-6WU31-1B_0

nicht tolerierte Maße /
not toleranced dimensions:

±0,5

Optionen / options:

Gewicht / mass:

22 kg

Maßstab / scale: ohne / without

Bemerkung / notice:

CAD CREATOR 2.2 (WWW-Version V02.20.00.00)

Druckdatum / print date: 28.07.2017