

REVERSING CONTACTOR COMBINATION AC-3
5.5KW/400V, SIZE S0 AC 110 V 50/120 V 60HZ



Figure similar

General technical data:		
Product function		reversing contactor
Size of contactor		S0
Width	mm	100
Height	mm	86
Depth	mm	91
Equipment marking acc. to DIN EN 61346-2		Q
Equipment marking acc. to DIN 40719 extended according to IEC 204-2 acc. to IEC 750		K
Control circuit/ Control:		
Type of voltage of the control supply voltage		AC
Control supply voltage 1		
• at AC		
— at 50 Hz rated value	V	120
— at 60 Hz rated value	V	120
Control supply voltage frequency		
• 1 rated value	Hz	60

• 2 rated value

Hz	60
----	----

Main circuit:

Operating current at AC-3 at 400 V rated value	A	12
Operating power at AC-3 at 400 V rated value	kW	5.5

Auxiliary circuit:

Number of NC contacts for auxiliary contacts per direction of rotation		0
Number of NO contacts for auxiliary contacts per direction of rotation		0

Connections/ Terminals:

Type of electrical connection for main current circuit		screw-type terminals
Mounting type		screw and snap-on mounting onto 35 mm standard mounting rail according to DIN EN 50022

Ambient conditions:

Ambient temperature during operation	°C	-25 ... +60
Protection class IP on the front		IP20

Certificates/ approvals:

General Product Approval	Declaration of Conformity	Shipping Approval
--------------------------	---------------------------	-------------------



Shipping Approval	other
-------------------	-------



[Umweltbestätigung](#)

other

[sonstig](#)

[Bestätigungen](#)

Further information

Information- and Downloadcenter (Catalogs, Brochures,...)

<http://www.siemens.com/industrial-controls/catalogs>

Industry Mall (Online ordering system)

<http://www.siemens.com/industrymall>

Cax online generator

<http://support.automation.siemens.com/WW/CAXorder/default.aspx?lang=en&mfb=3RA1324-8XB30-1AK6>

Service&Support (Manuals, Certificates, Characteristics, FAQs,...)

<https://support.industry.siemens.com/cs/ww/en/ps/3RA1324-8XB30-1AK6>

Image database (product images, 2D dimension drawings, 3D models, device circuit diagrams, EPLAN macros, ...)

http://www.automation.siemens.com/bilddb/cax_de.aspx?mfb=3RA1324-8XB30-1AK6&lang=en

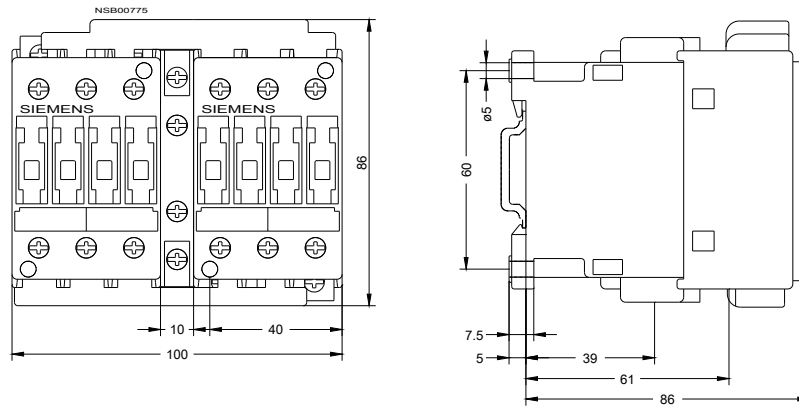




Figure similar

last modified:

11/11/2016