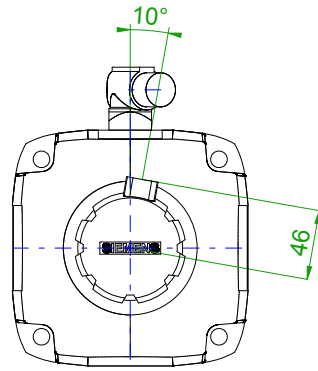
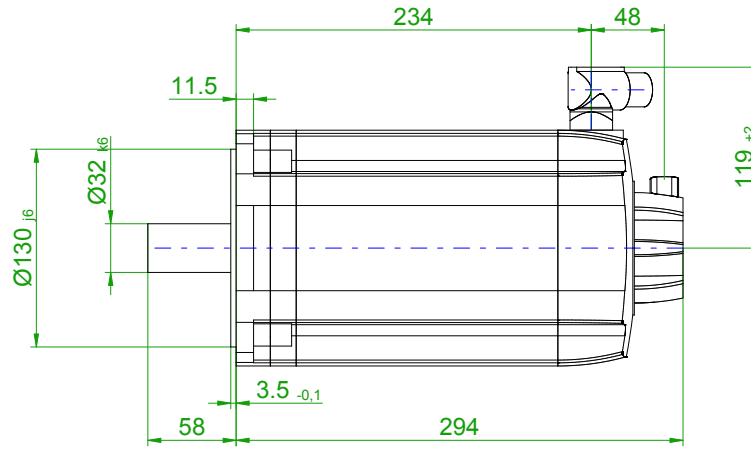
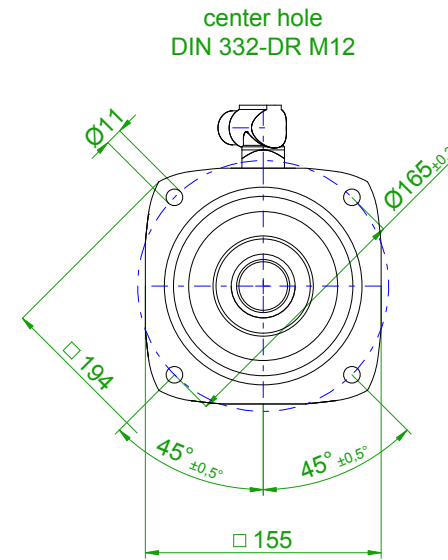


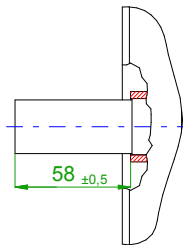
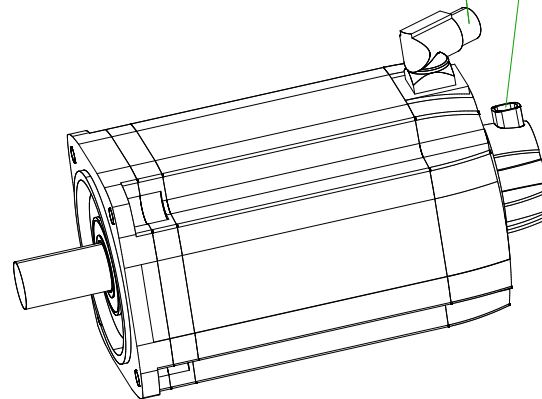
back view



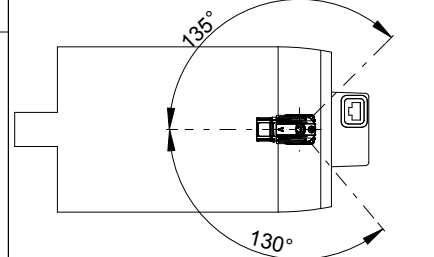
front view

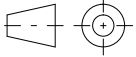


6-pole plug size 1 for power  
10-pole signal plug



rotating angle of the plug



|   |  |   |                    |
|---|--|---|--------------------|
|  |  | <b>SIEMENS</b>                                  |                    |
| Einheit / unit: mm  |  | Synchron-Servomotor<br>Synchronous Servo Motor: | 1FT7086-5AC71-1CG1 |
| nicht tolerierte Maße /<br>not toleranced dimensions: ±1                              |  | Optionen / options:                             |                    |
| Maßstab / scale: ohne / without   |  | Gewicht / mass:                                 | 27.5 kg            |
| CAD CREATOR 2.2 (WWW-Version V02.20.00.00)  |  | Bemerkung / notice:                             |                    |
|   |  | Druckdatum / print date:                        | 28.01.2019         |