

FEED-THROUGH TERMINAL WITH SPRING CONNECTION,  
SECTION: 1,5 SQMM, WIDTH: 4,2 MM, COLOR:GREEN

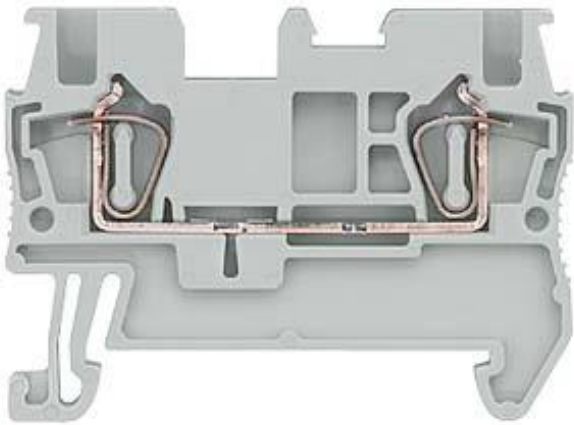


Figure similar

Model	
product brandname	ALPHA
Product designation	ALPHA FIX terminal blocks
Design of terminal / Terminal levels internally linked	No
General technical data	
Terminal contact spacing	4.2 mm
Protection class	
Combustibility class acc. to UL 94	V0
Main circuit	
Operating voltage / rated value	500 V
Operating current / rated value	17.5 A
Appearance	
Color	green
Product details	
Product component / required / connection plate	No

Number	
Number of terminal levels	1
Number of terminal points / per terminal level	2

Connections	
<b>Connectable conductor cross-section / stranded</b>	
• minimum	1.5 mm <sup>2</sup>
• maximum	1.5 mm <sup>2</sup>
<b>Wire stripping length</b>	10 mm
<b>Connectable conductor cross-section</b>	
• solid	
— minimum	1.5 mm <sup>2</sup>
— maximum	1.5 mm <sup>2</sup>
• finely stranded	
— with core end processing / minimum	1.5 mm <sup>2</sup>
— with core end processing / maximum	1.5 mm <sup>2</sup>
— without core end processing / minimum	1.5 mm <sup>2</sup>
— without core end processing / maximum	1.5 mm <sup>2</sup>
<b>Type of electrical connection</b>	
• 1	spring-loaded terminal
• 2	spring-loaded terminal
Position / of the terminal	top

Mechanical Design	
<b>Mounting type</b>	DIN rail 35 mm
<b>Net weight</b>	5 g
Material / of the insulating body	Other

Environmental conditions	
<b>Ambient temperature</b>	
• during operation / minimum	-25 °C
• during operation / maximum	55 °C

Certificates		
<b>Design tested acc. to type of protection / EEx e</b>	No	
<b>General Product Approval</b>	<b>Declaration of Conformity</b>	<b>other</b>



[sonstig](#)

### Further information

**Information- and Downloadcenter (Catalogs, Brochures,...)**

<http://www.siemens.com/lowvoltage/catalogs>

**Industry Mall (Online ordering system)**

<https://mall.industry.siemens.com/mall/en/en/Catalog/product?mlfb=8WH2000-0AE03>

**Service&Support (Manuals, Certificates, Characteristics, FAQs,...)**

<http://support.automation.siemens.com/WW/view/en/8WH2000-0AE03/all>

**Image database (product images, 2D dimension drawings, 3D models, device circuit diagrams, ...)**

[http://www.automation.siemens.com/bilddb/cax\\_en.aspx?mlfb=8WH2000-0AE03](http://www.automation.siemens.com/bilddb/cax_en.aspx?mlfb=8WH2000-0AE03)

**CAX-Online-Generator**

<http://www.siemens.com/cax>

**Tender specifications**

<http://www.siemens.com/specifications>