



circuit breaker 3VA5 UL Frame 125 breaking capacity class M 35 kA @ 480 V 2-pole, line protection TM210, FTFM, In=80 A overload protection Ir=80 A permanently set short-circuit protection Ii=10 x In UL489 SB (naval), 50 degrees Celsius cable connection on two sides

| Model | |
|--|-----------------------------|
| product brand name | SENTRON |
| product designation | Molded-case circuit breaker |
| product designation / according to UL file | MEAM |
| design of the product | System protection |
| design of the load switch / according to UL 489 / Heating, Air Conditioning, and Refrigeration circuit breaker (HACR Type) | Yes |
| design of the load switch / according to UL 489 / High-Intensity-Discharge circuit breaker (HID Type) | No |
| design of the load switch / according to UL 489 / Switching Duty circuit breaker (SWD Type) | No |
| design of the overcurrent release | TM210 |
| protection function of the overcurrent release | LI |
| number of poles | 2 |
| General technical data | |
| operating voltage / at AC / rated value | 415 V |
| power loss [W] / maximum | 12.86 W |
| power loss [W] / for rated value of the current / at AC / in hot operating state / per pole | 6.43 W |
| mechanical service life (operating cycles) / typical | 20 000 |
| electrical endurance (operating cycles) / at AC-1 / at 380/415 V | 8 000 |
| electrical endurance (operating cycles) / at AC-1 / at 690 V | 4 000 |
| electrical endurance (operating cycles) / at 480 V | 8 000 |
| electrical endurance (operating cycles) / at 600 V | 4 000 |
| product feature / for neutral conductors / upgradable/retrofitable / short-circuit and overload proof | No |
| product function | |
| • communication function | No |
| • other measurement function | No |
| Net Weight | 0.668 kg |
| Current | |
| marking / according to UL 489 / 100%-rated breaker | No |
| operational current | |
| • at 40 °C | 80 A |
| • at 45 °C | 78 A |
| • at 50 °C | 77 A |
| • at 55 °C | 76 A |
| • at 60 °C | 74 A |
| • at 65 °C | 73 A |
| • at 70 °C | 72 A |
| Switching capacity according to IEC 60947 | |
| switching capacity class of the circuit breaker | M |

| | |
|------------------------------------|--|
| design of short-circuit protection | For switching power values in DC networks, see the 3VA molded case circuit breaker device manual; link to be found under Service & Support in the last chapter |
|------------------------------------|--|

Switching capacity according to UL 489

| | |
|--|-------------------------|
| current breaking capacity | |
| <ul style="list-style-type: none"> at 240 V at 480 V at 600 Y/347 V | 85 kA 35 kA 18 kA |

Adjustable parameters

| | |
|---|----------------|
| adjustable response value setting current (I _r) / of the L-trip / with I _{2t} characteristic | |
| <ul style="list-style-type: none"> minimum maximum | 80 A 80 A |
| adjustable response value delay time (t _r) / for L-tripping / with I _{2t} characteristic | |
| <ul style="list-style-type: none"> minimum maximum | 1 s 1 s |
| adjustable response value setting current (I _i) / for I-tripping | |
| <ul style="list-style-type: none"> minimum maximum | 800 A 800 A |
| adjustable setting current (I _{nN}) / for N-tripping | |
| <ul style="list-style-type: none"> minimum maximum | 0 A 0 A |
| product function / grounding protection | No |

Mechanical Design

| | |
|---|-------------------|
| product component | |
| <ul style="list-style-type: none"> undervoltage release voltage trigger trip indicator | No No No |
| height [in] | 5.51 in |
| height | 140 mm |
| width [in] | 2 in |
| type of connectable conductor cross-sections / of the round conductor terminal / stranded | 1 x (8 AWG - 3/0) |
| width | 50.8 mm |
| depth [in] | 3.01 in |
| depth | 76.5 mm |

Connections

| | |
|---|---|
| arrangement of electrical connectors / for main current circuit | Front connection |
| type of electrical connection / for main current circuit | circular conductor terminal on both sides |

Auxiliary circuit

| | |
|--|---|
| number of CO contacts / for auxiliary contacts | 0 |
|--|---|

Accessories

| | |
|--|----|
| product extension / optional / motor drive | No |
|--|----|

Environmental conditions

| | |
|--|------------------------------------|
| protection class IP / on the front | IP40 |
| ambient temperature | |
| <ul style="list-style-type: none"> during operation / minimum during operation / maximum during storage / minimum during storage / maximum | -25 °C 70 °C -40 °C 80 °C |

Approvals / Certificates

General Product Approval



[Confirmation](#)



| | | | |
|--------------------------|-----|-------------------|-------------------|
| General Product Approval | EMV | Test Certificates | Marine / Shipping |
|--------------------------|-----|-------------------|-------------------|



Miscellaneous



[Type Test Certificates/Test Report](#)



Marine / Shipping

other



[Miscellaneous](#)

[Confirmation](#)

other

Environment

[Miscellaneous](#)

[Environmental Confirmations](#)

Further information

Information on the packaging

<https://support.industry.siemens.com/cs/ww/en/view/109813875>

Information- and Downloadcenter (Catalogs, Brochures,...)

<http://www.siemens.com/lowvoltage/catalogs>

Industry Mall (Online ordering system)

<https://mall.industry.siemens.com/mall/en/en/Catalog/product?mlfb=3VA5180-5ED26-1AA0>

Service&Support (Manuals, Certificates, Characteristics, FAQs,...)

<https://support.industry.siemens.com/cs/ww/en/ps/3VA5180-5ED26-1AA0>

Image database (product images, 2D dimension drawings, 3D models, device circuit diagrams, ...)

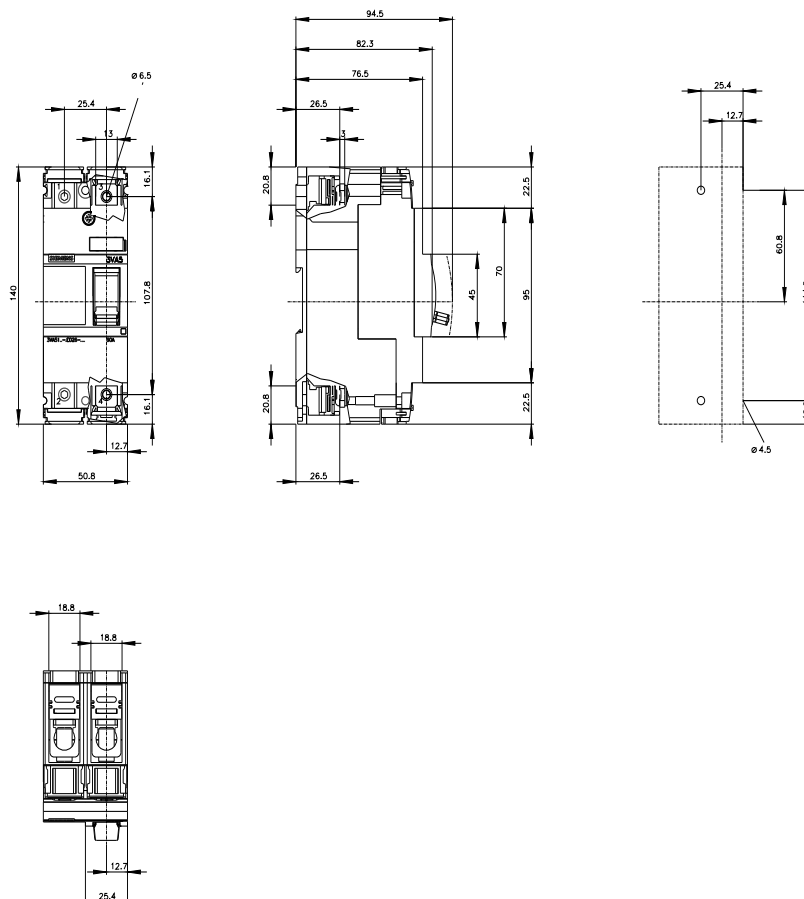
http://www.automation.siemens.com/bilddb/cax_en.aspx?mlfb=3VA5180-5ED26-1AA0

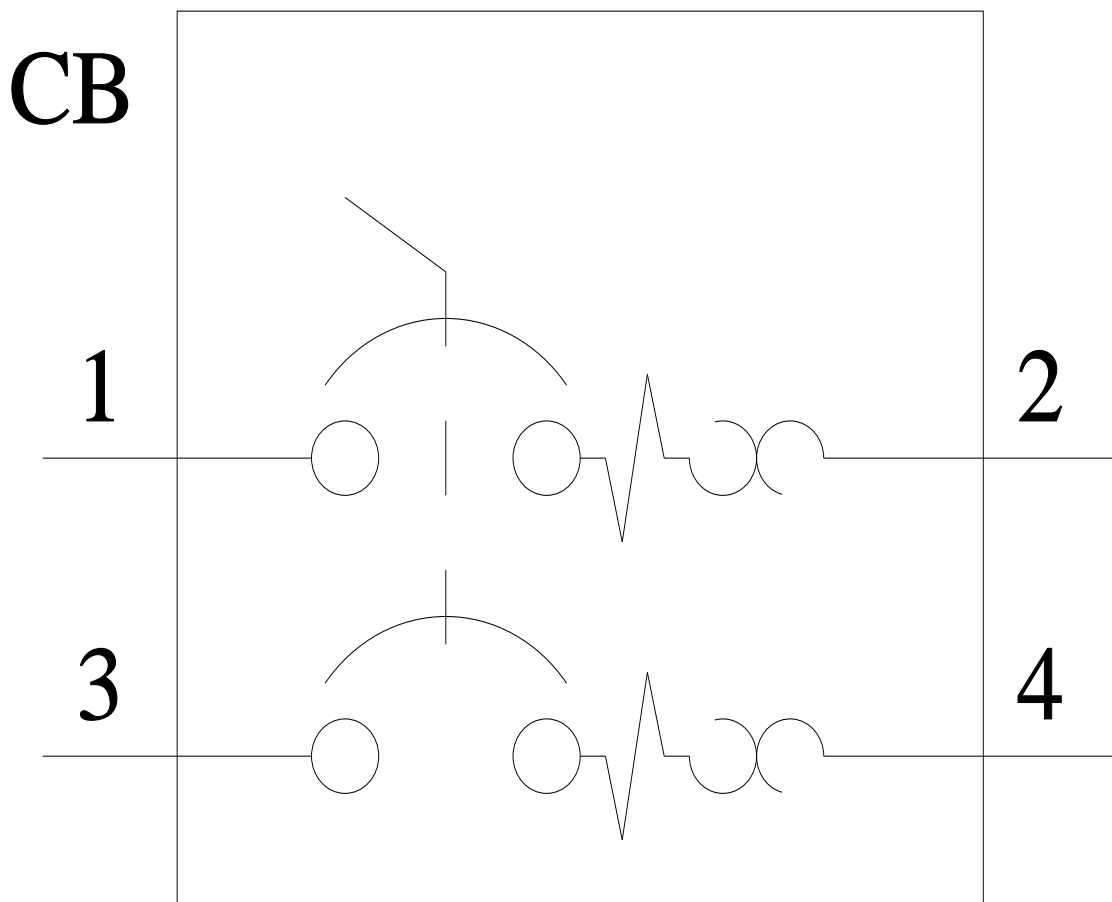
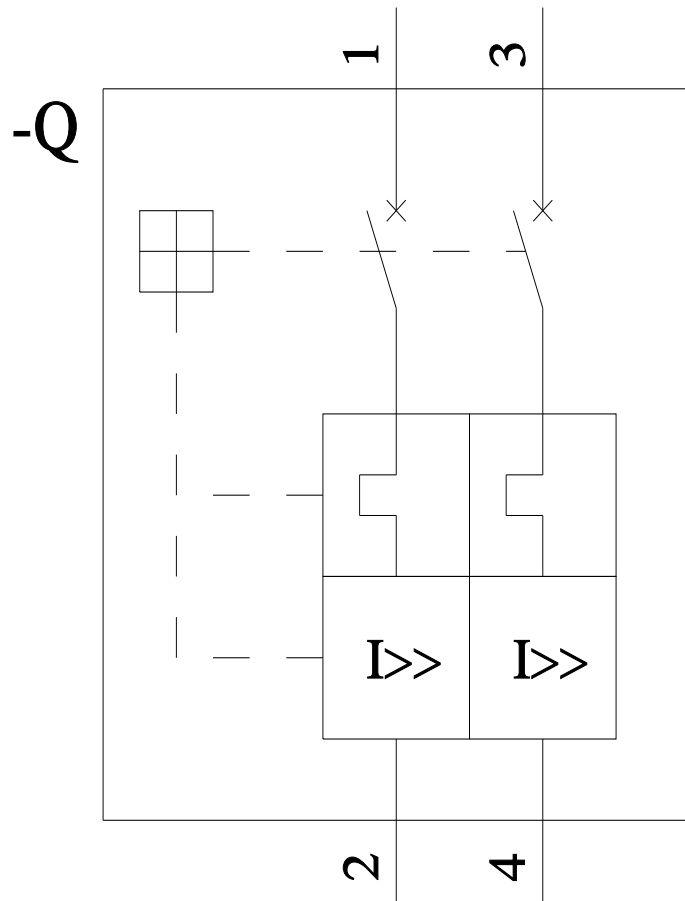
CAX-Online-Generator

<http://www.siemens.com/cax>

Tender specifications

<http://www.siemens.com/specifications>





last modified:

3/11/2024

