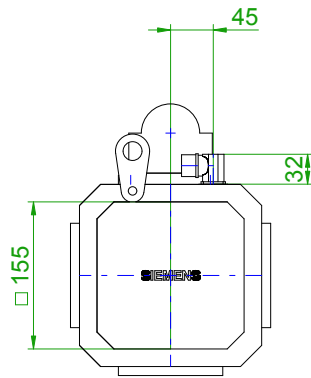
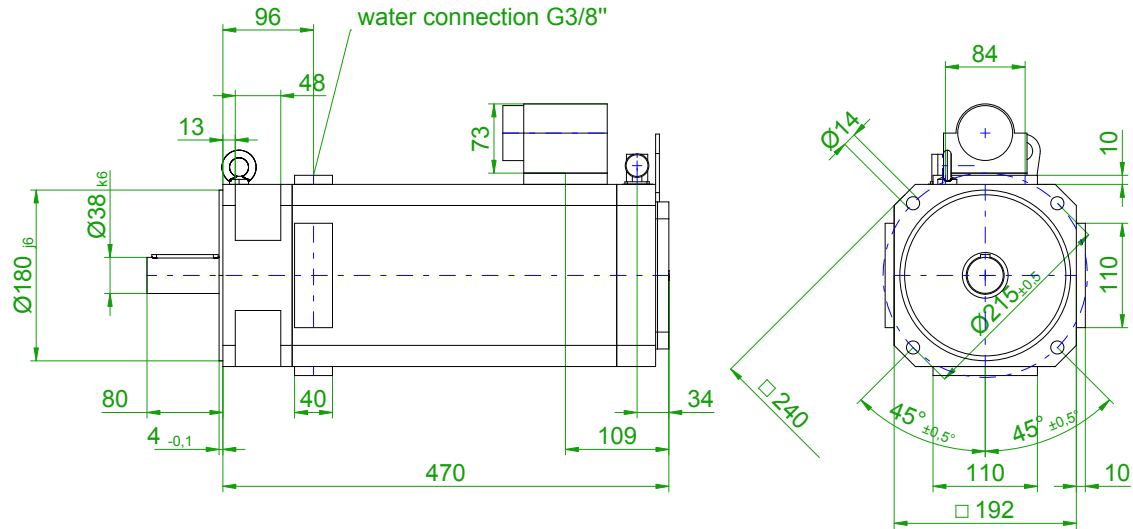


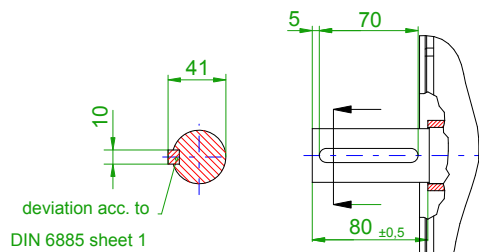
back view



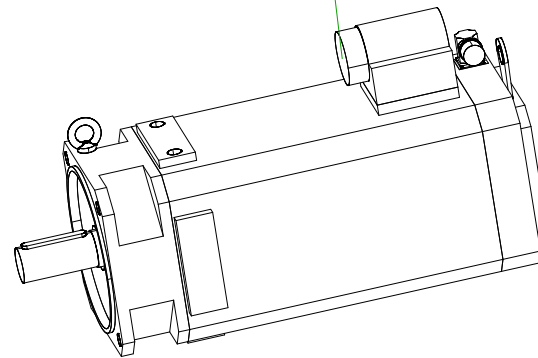
front view  
center hole  
DIN 332-DR M12

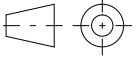


version with featherkey



6-pole plug size 3  
for power



|   |   |                         |  |
|---|---|-------------------------|--|
|  |   | <b>SIEMENS</b>          |  |
| Einheit / unit: mm  | Synchron-Servomotor<br>Synchronous Servo Motor: | 1FT6108-8WF71-4TA0      |  |
| nicht tolerierte Maße /<br>not toleranced dimensions:                                 | Optionen / options:                             | Gewicht / mass: 61.5 kg |  |
| Maßstab / scale: ohne / without   | Bemerkung / notice:                             |                         |  |
| CAD CREATOR 2.2 (WWW-Version V02.20.00.00)  | Druckdatum / print date:                        | 14.05.2019              |  |