

Position switch Plastic enclosure according to EN 50047, 50 mm  
 Device connection 2 x (M20 x 1.5) 1 NO/1 NC quick action contacts  
 twist lever with plastic roller 19 mm



<b>Product brand name</b>	SIRIUS
<b>Product designation</b>	Mechanical position switches
<b>Product type designation</b>	3SE5
<b>Manufacturer's article number</b>	<ul style="list-style-type: none"> <li>• of the supplied basic switch <a href="#">3SE5242-0HC05</a></li> <li>• of the supplied actuator head for position switches <a href="#">3SE5000-0AK00</a></li> <li>• of the supplied operating lever <a href="#">3SE5000-0AA21</a></li> </ul>
Suitability for use safety switch	Yes

General technical data	
<b>Product function</b>	
• positive opening	Yes
<b>Degree of pollution</b>	class 3
<b>Surge voltage resistance rated value</b>	6 kV
<b>Protection class IP</b>	IP66/IP67
<b>Shock resistance</b>	
• acc. to IEC 60068-2-27	30 g / 11 ms
<b>Mechanical service life (switching cycles)</b>	
• typical	15 000 000

<b>Electrical endurance (switching cycles)</b>	
<ul style="list-style-type: none"> <li>at AC-15 at 230 V typical</li> </ul>	100 000
<b>Electrical endurance (switching cycles) with contactor 3RH11, 3RT1016, 3RT1017, 3RT1024, 3RT1025, 3RT1026 typical</b>	10 000 000
<b>Electrical operating cycles in one hour with contactor 3RH11, 3RT1016, 3RT1017, 3RT1024, 3RT1025, 3RT1026</b>	6 000
<b>Thermal current</b>	10 A
<b>Material of the enclosure of the switch head</b>	plastic
<b>Reference code acc. to DIN EN 81346-2</b>	B
<b>Reference code acc. to DIN EN 61346-2</b>	B
<b>Continuous current of the C characteristic MCB</b>	1 A; for a short-circuit current smaller than 400 A
<b>Continuous current of the quick DIAZED fuse link</b>	10 A; for a short-circuit current smaller than 400 A
<b>Continuous current of the DIAZED fuse link gG</b>	6 A
<b>Active principle</b>	mechanical
<b>Repeat accuracy</b>	0.05 mm
<b>Minimum actuating torque in activation direction</b>	0.25 N·m
<b>Length of the sensor</b>	96.3 mm
<b>Width of the sensor</b>	50 mm
<b>Design of the switching contact</b>	mechanical
<b>Operating frequency rated value</b>	50 ... 60 Hz
<b>Number of NC contacts for auxiliary contacts</b>	1
<b>Number of NO contacts for auxiliary contacts</b>	1
<b>Number of CO contacts for auxiliary contacts</b>	1
<b>Operating current at AC-15</b>	
<ul style="list-style-type: none"> <li>at 24 V rated value</li> </ul>	6 A
<ul style="list-style-type: none"> <li>at 240 V rated value</li> </ul>	6 A
<ul style="list-style-type: none"> <li>at 400 V rated value</li> </ul>	4 A
<b>Operating current at DC-13</b>	
<ul style="list-style-type: none"> <li>at 24 V rated value</li> </ul>	3 A
<ul style="list-style-type: none"> <li>at 125 V rated value</li> </ul>	0.55 A
<ul style="list-style-type: none"> <li>at 250 V rated value</li> </ul>	0.27 A
<ul style="list-style-type: none"> <li>at 400 V rated value</li> </ul>	0.12 A
<b>Design of the interface for safety-related communication</b>	without

### Enclosure

<b>Design of the housing</b>	block, wide
<b>Material of the enclosure</b>	plastic
<b>Coating of the enclosure</b>	Other types
<b>Design of the housing acc. to standard</b>	No

### Drive Head

<b>Design of the operating mechanism</b>	Twist lever, metal lever, 21 mm long, straight, plastic roller 19 mm
------------------------------------------	----------------------------------------------------------------------

Standard-compliant actuator head	EN 50047, design A
Shape of the switch head	roller
Design of the switching function	positive opening, integrated
Circuit principle	snap-action contacts
Number of switching contacts safety-related	1

#### Connections/ Terminals

Type of electrical connection	screw-type terminals
Type of connectable conductor cross-sections	
<ul style="list-style-type: none"> <li>• solid</li> <li>• finely stranded with core end processing</li> <li>• at AWG conductors solid</li> <li>• at AWG conductors stranded</li> </ul>	1x (0.5 ... 1.5 mm <sup>2</sup> ), 2x (0.5 ... 0.75 mm <sup>2</sup> ) 1x (0.5 ... 1.5 mm <sup>2</sup> ), 2x (0.5 ... 0.75 mm <sup>2</sup> ) 1x (20 ... 16), 2x (20 ... 18) 1x (20 ... 16), 2x (20 ... 18)
Cable entry type	2 x (M20 x 1.5)

#### Communication/ Protocol

Design of the interface	without
-------------------------	---------

#### Ambient conditions

Explosion protection category for dust	none
----------------------------------------	------

#### Installation/ mounting/ dimensions

Mounting position	any
Mounting type	screw fixing

#### Certificates/ approvals

General Product Approval		Functional Safety/Safety of Machinery	Declaration of Conformity
 CCC	 CSA	 UL	 EAC
		<a href="#">Type Examination Certificate</a>	 EG-Konf.

Declaration of Conformity	Test Certificates	other
<a href="#">Miscellaneous</a>	<a href="#">Type Test Certificates/Test Report</a>	<a href="#">Confirmation</a>

#### Further information

Information- and Downloadcenter (Catalogs, Brochures,...)  
[www.siemens.com/sirius/catalogs](http://www.siemens.com/sirius/catalogs)

Industry Mall (Online ordering system)  
<https://mall.industry.siemens.com/mall/en/en/Catalog/product?mlfb=3SE5242-0HK21>

Cax online generator

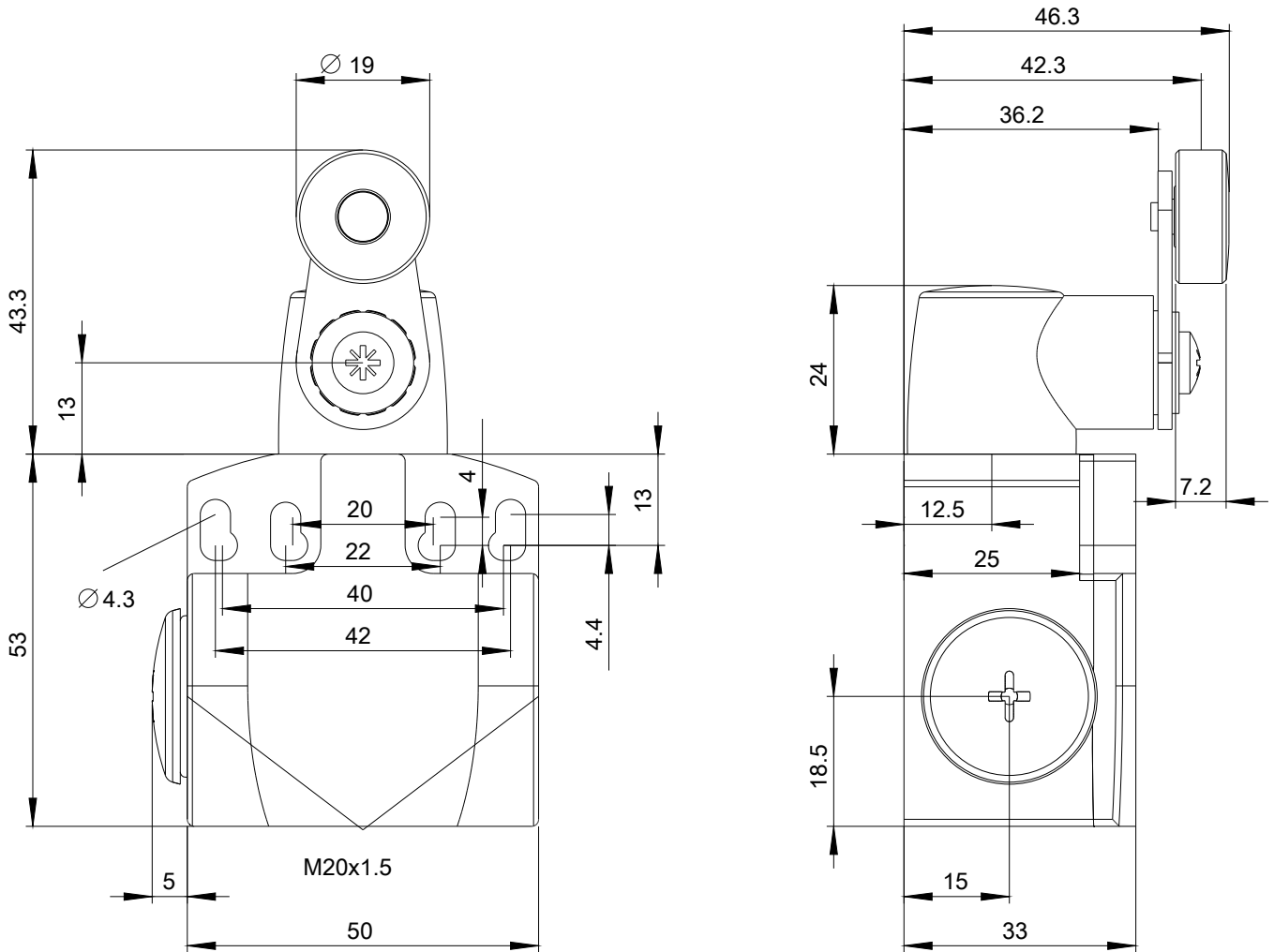
<http://support.automation.siemens.com/WW/CAXorder/default.aspx?lang=en&mfb=3SE5242-0HK21>

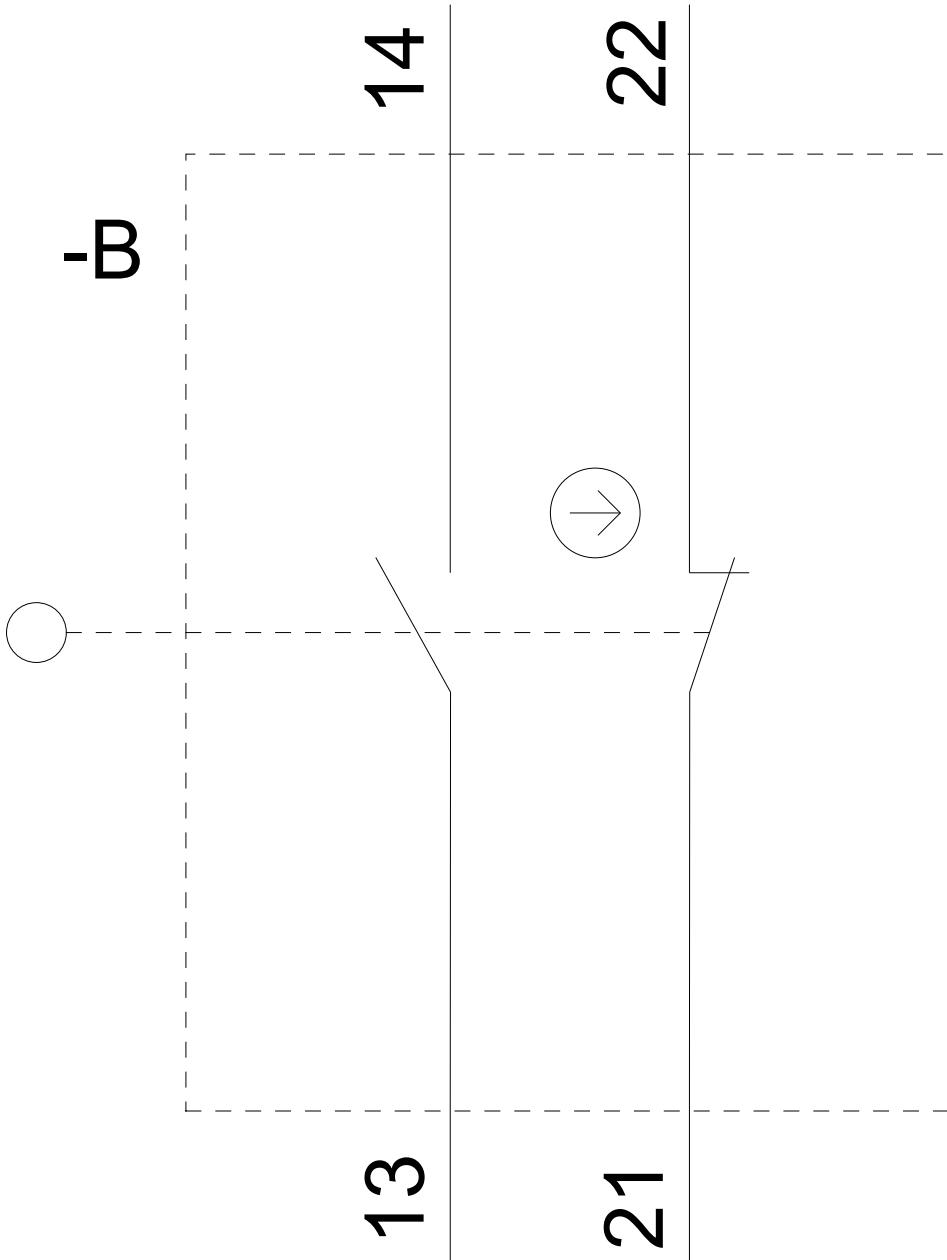
Service&Support (Manuals, Certificates, Characteristics, FAQs,...)

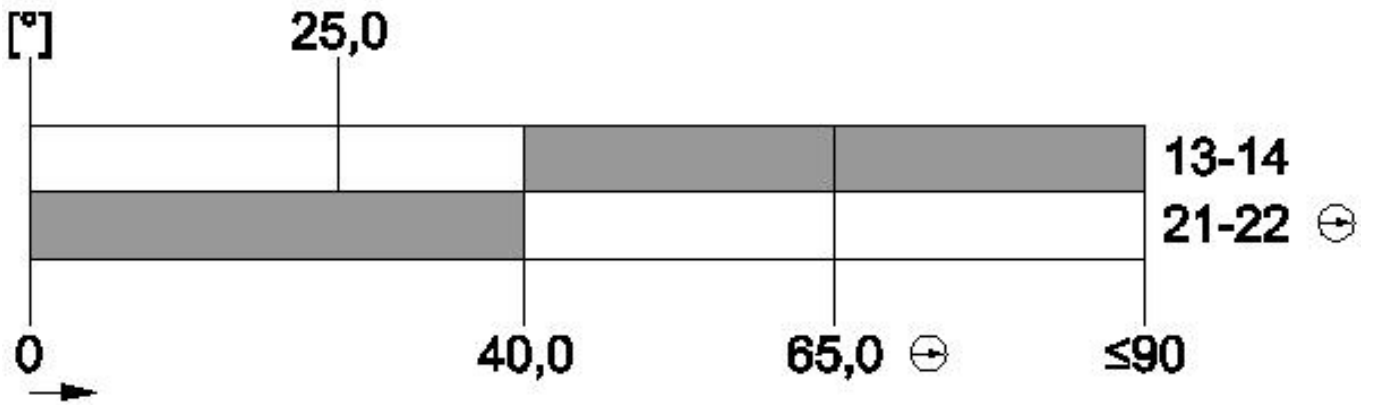
<https://support.industry.siemens.com/cs/ww/en/ps/3SE5242-0HK21>

Image database (product images, 2D dimension drawings, 3D models, device circuit diagrams, EPLAN macros, ...)

[http://www.automation.siemens.com/bilddb/cax\\_de.aspx?mfb=3SE5242-0HK21&lang=en](http://www.automation.siemens.com/bilddb/cax_de.aspx?mfb=3SE5242-0HK21&lang=en)







last modified:

07/26/2019