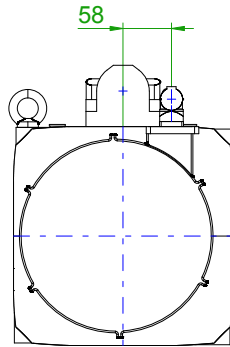
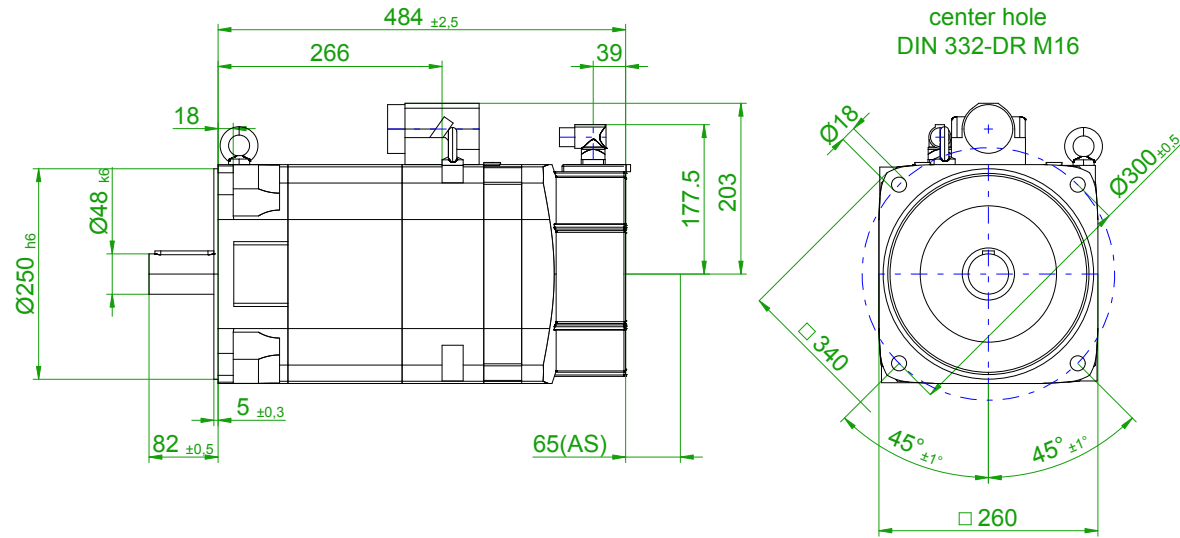


back view

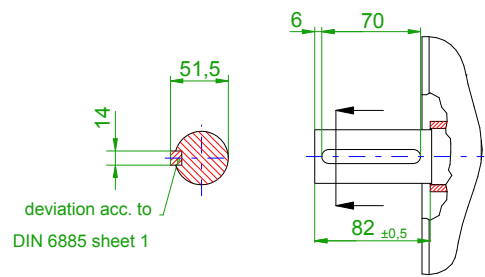


front view

center hole
DIN 332-DR M16

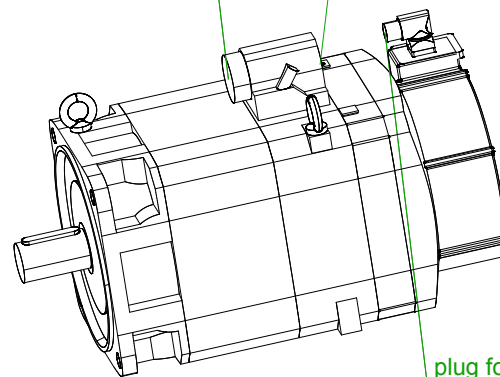


version with featherkey

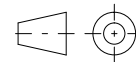


6-pole plug size 3
for power

cable duct
for encoder
10-pole plug



plug for fan port
rotatable



SIEMENS

Einheit / unit: mm

Synchron-Servomotor
Synchronous Servo Motor:

1FT7132-5SC71-4BA0

nicht tolerierte Maße /
not toleranced dimensions: ±1

Optionen / options:

Gewicht / mass:

82.5 kg

Maßstab / scale: ohne / without

Bemerkung / notice:

CAD CREATOR 2.2 (WWW-Version V02.20.00.00)

Druckdatum / print date:

05.08.2019

Take care of additional installation space for assembling the signal cables