



LED module with integrated LED 24 V AC/DC, green, screw terminal, for front plate mounting, ATEX Zone 1-2: Intrinsic safety

product brand name	SIRIUS ACT
product designation	LED module
product type designation	3SU1
General technical data	
product component	
• diode	Yes
• lamp transformer	No
• light source	Yes
• series resistor	No
insulation voltage rated value	320 V
degree of pollution	3
type of voltage of the operating voltage	AC/DC
• for actuation	AC/DC
surge voltage resistance rated value	4 kV
consumed current maximum	20 mA
protection class IP	
• of the enclosure	IP30
• of the terminal	IP20
shock resistance	
• acc. to IEC 60068-2-27	Sinusoidal half-wave 50g / 11 ms
• for railway applications acc. to DIN EN 61373	Category 1, Class B
vibration resistance	
• acc. to IEC 60068-2-6	10 ... 500 Hz: 5g
• for railway applications acc. to DIN EN 61373	Category 1, Class B
operating period typical	100 000 h
reference code acc. to IEC 81346-2	P
operating voltage 1	
• at AC	
— at 50 Hz rated value	24 V
— at 60 Hz rated value	24 V
• at DC rated value	24 V
Control circuit/ Control	
inrush current maximum	2 A
Connections/ Terminals	
type of electrical connection	screw-type terminals
type of connectable conductor cross-sections	
• solid with core end processing	2x (0.5 ... 0.75 mm ²)

<ul style="list-style-type: none"> • solid without core end processing • finely stranded with core end processing • finely stranded without core end processing • at AWG cables 	2x (1.0 ... 1.5 mm ²) 2x (0.5 ... 1.5 mm ²) 2x (1.0 ... 1.5 mm ²) 2x (18 ... 14)
<ul style="list-style-type: none"> • tightening torque with screw-type terminals 	0.8 ... 0.9 N·m

Lamp

type of light source	LED
color of the light source	green
light intensity	450 ... 1 120 mcd
certificate of suitability	Yes; BVS 18 ATEX E 030 (IEC 60079-0:2017-12 Edition 7.0; EN 60079-11:2012; ATEX-product guideline 2014/34/EU) Yes; IECEx BVS 18.0023 (IEC 60079-11:2011-06 Edition 6.0; IEC 60079-0:2017-12 Edition 7.0) Yes
<ul style="list-style-type: none"> • ATEX • IECEx • for gas explosion protection for zone 1/2 	
explosion device group and category acc. to ATEX	
Ex-Marking acc. to ATEX	II C
equipment protection level (EPL) acc. to ATEX	II 2G Ex ib IIC T4 Gb
maximum input voltage (Ui)	Gb
<ul style="list-style-type: none"> • at AC • at DC 	28.8 V 28.8 V
type of protection acc. to ATEX	Ex ib

Ambient conditions

<ul style="list-style-type: none"> • ambient temperature during operation • ambient temperature during storage 	-25 ... +70 °C -40 ... +80 °C
environmental category during operation acc. to IEC 60721	3M6, 3S2, 3B2, 3C3, 3K6 (with relative air humidity of 10 ... 95 %, no condensation in operation permitted)

Installation/ mounting/ dimensions

fastening method	Front plate mounting
<ul style="list-style-type: none"> • of modules and accessories 	
height	33.2 mm
width	9.8 mm
depth	29.4 mm

Certificates/ approvals

General Product Approval	EMC	For use in hazardous locations
---------------------------------	------------	---------------------------------------



Declaration of Conformity	Test Certificates	Marine / Shipping
----------------------------------	--------------------------	--------------------------



[Miscellaneous](#)

[Type Test Certificates/Test Report](#)

[Special Test Certificate](#)



Marine / Shipping	other
--------------------------	--------------



[Confirmation](#)

Further information

Information- and Downloadcenter (Catalogs, Brochures,...)

<https://www.siemens.com/ic10>

Industry Mall (Online ordering system)

<https://mall.industry.siemens.com/mall/en/en/Catalog/product?mlfb=3SU1401-1BB40-1AA2>

Cax online generator

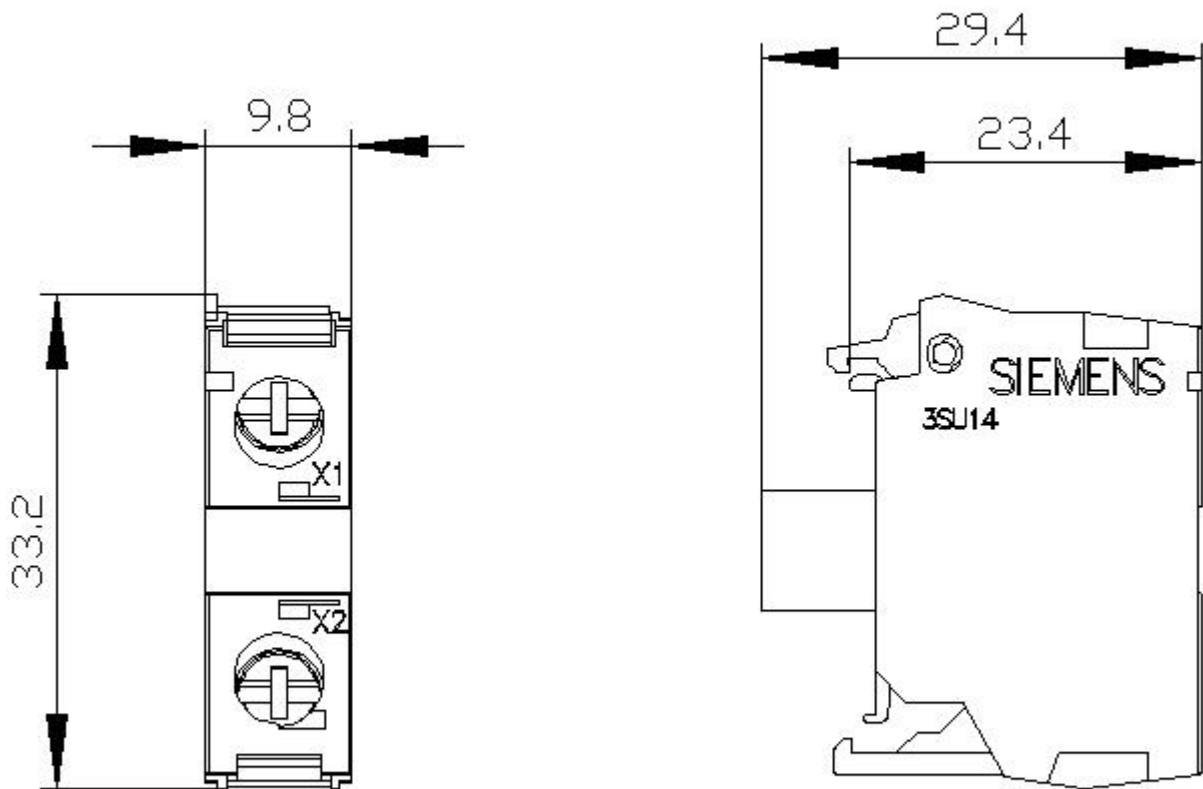
<http://support.automation.siemens.com/WW/CAXorder/default.aspx?lang=en&mlfb=3SU1401-1BB40-1AA2>

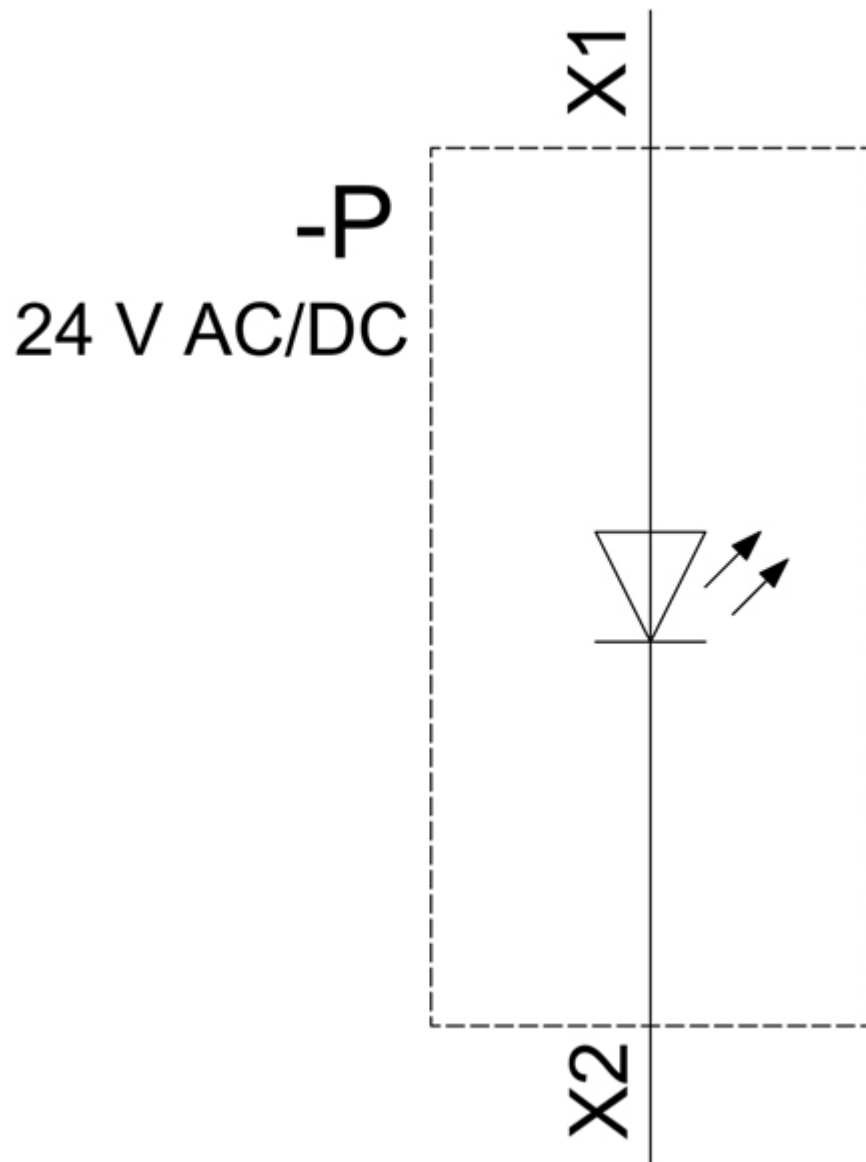
Service&Support (Manuals, Certificates, Characteristics, FAQs,...)

<https://support.industry.siemens.com/cs/ww/en/ps/3SU1401-1BB40-1AA2>

Image database (product images, 2D dimension drawings, 3D models, device circuit diagrams, EPLAN macros, ...)

http://www.automation.siemens.com/bilddb/cax_de.aspx?mlfb=3SU1401-1BB40-1AA2&lang=en





last modified:

1/12/2021 