



Safety position switch with tumbler Locking force 1300 N 5 directions of approaches Plastic enclosure, M12 connector ASIsafe integrated Channel 1/channel 2=actuator 2 NC Spring-locked Auxiliary release on front Magnet voltage 24 V DC/AC Monitoring actuator 2 NC/1 NO Monitoring magnet 2 NC/1 NO The matching separate Actuator 3SE5000-0AV0 must be ordered separately

| | |
|---|---|
| Product brand name | SIRIUS |
| Product designation | Mechanical safety switches |
| Design of the product | with separate actuator and with tumbler |
| Product type designation | 3SF13 |
| Manufacturer's article number <ul style="list-style-type: none"> of the optional actuators | 3SE5000-0AV01 standard actuator, 3SE5000-0AV02 actuator with vertical mounting, 3SE5000-0AV03 actuator with transverse mounting, 3SE5000-0AV04 radius actuator left, 3SE5000-0AV05 universal actuator, 3SE5000-0AV06 radius actuator right, 3SE5000-0AV07 heavy duty actuator |
| Suitability for use safety switch | Yes |

| General technical data | |
|---|-------------|
| Product function <ul style="list-style-type: none"> positive opening | Yes |
| Insulation voltage <ul style="list-style-type: none"> rated value | 30 V |
| Degree of pollution | class 3 |
| Surge voltage resistance rated value | 0.8 kV |
| Protection class IP | IP66/IP67 |
| Shock resistance | 30g / 11 ms |

| | |
|--|--------------|
| • acc. to IEC 60068-2-27 | 30 g / 11 ms |
| Vibration resistance | 0.35 mm / 5g |
| • acc. to IEC 60068-2-6 | 0.35 mm/5g |
| Mechanical service life (switching cycles) | |
| • typical | 1 000 000 |
| Material of the enclosure of the switch head | plastic |
| Reference code acc. to DIN EN 81346-2 | B |
| Reference code acc. to DIN EN 61346-2 | B |
| Locking force | 1 300 N |
| • acc. to DIN EN ISO 14119 | 1 000 N |
| Repeat accuracy | 0.1 mm |
| Minimum actuating force in activation direction | 30 N |

Enclosure

| | |
|---|----------------|
| Design of the housing | special design |
| Material of the enclosure | plastic |
| Design of the housing acc. to standard | No |

Drive Head

| | |
|--|--------------------------|
| Design of the operating mechanism | 5 directions of approach |
| Design of the switching function | positive opening |
| Number of actuation directions | 5 |

Connections/ Terminals

| | |
|--------------------------------------|-----------------|
| Type of electrical connection | M12 plug, fixed |
|--------------------------------------|-----------------|

Safety related data

| | |
|--|---|
| B10 value | |
| • with high demand rate acc. to SN 31920 | 1 000 000 |
| Proportion of dangerous failures | |
| • with high demand rate acc. to SN 31920 | 20 % |
| Design of plug-in connection | M12 plug, 4-pole: Pin 1 = ASI+ , Pin 2 = not assigned, Pin 3= ASI- , Pin 4 = not assigned |
| Locking mechanism design | spring-actuated lock (closed-circuit principle) with auxiliary release |

Communication/ Protocol

| | |
|-----------------------------------|-------------------------|
| Design of the interface | M12 plug, fixed |
| AS interface slave profile | 7.B.F |
| ID1 code | F (hex, variable 0...F) |

Ambient conditions

| | |
|----------------------------|----------------|
| Ambient temperature | |
| • during operation | -25 ... +60 °C |
| • during storage | -40 ... +80 °C |





Supply voltage

| | |
|--------------------------------------|------|
| Supply voltage of magnet coil | 24 V |
|--------------------------------------|------|

Installation/ mounting/ dimensions

| | |
|-------------------|--------------|
| Mounting position | any |
| Mounting type | screw fixing |

Certificates/ approvals

| General Product Approval | Functional Safety/Safety of Machinery | Declaration of Conformity |
|--|---|---|
|  CSA |  UL |  |
| | Type Examination Certificate | Miscellaneous |
| | |  EG-Konf. |

| Test Certificates | other |
|--|--|
| Type Test Certificates/Test Report | Confirmation Miscellaneous |

Further information

Information- and Downloadcenter (Catalogs, Brochures,...)

<https://www.siemens.com/ic10>

Industry Mall (Online ordering system)

<https://mall.industry.siemens.com/mall/en/en/Catalog/product?mlfb=3SF1324-1SD21-1BA3>

Cax online generator

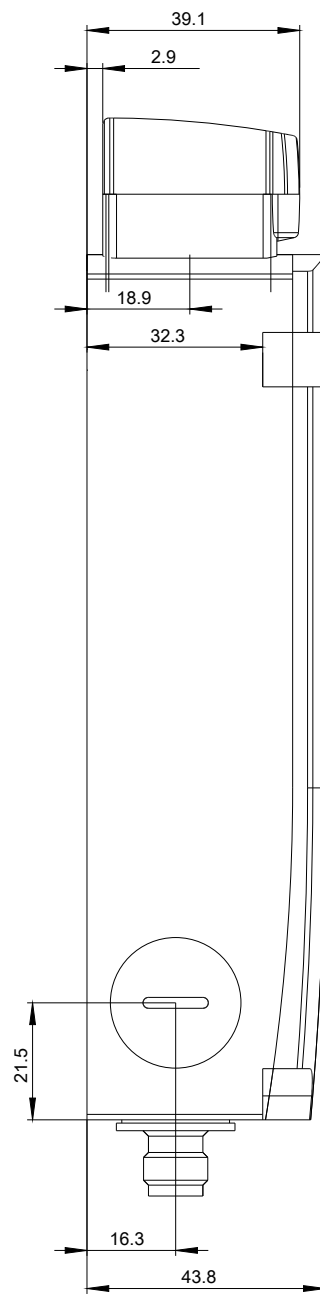
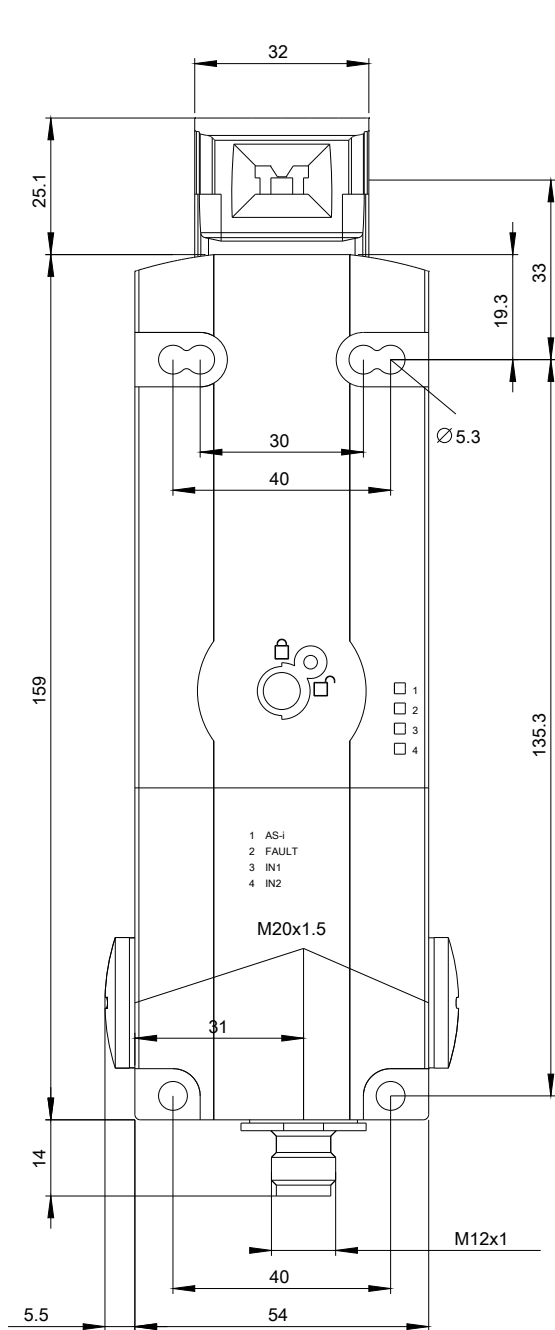
<http://support.automation.siemens.com/WW/CAXorder/default.aspx?lang=en&mlfb=3SF1324-1SD21-1BA3>

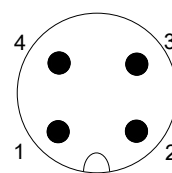
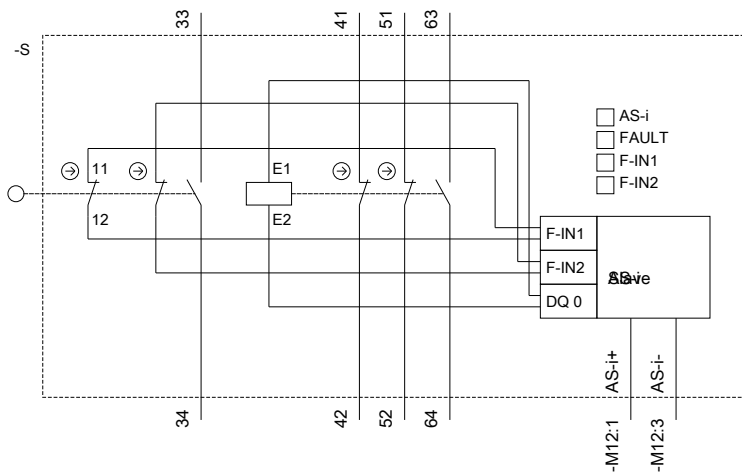
Service&Support (Manuals, Certificates, Characteristics, FAQs,...)

<https://support.industry.siemens.com/cs/ww/en/ps/3SF1324-1SD21-1BA3>

Image database (product images, 2D dimension drawings, 3D models, device circuit diagrams, EPLAN macros, ...)

http://www.automation.siemens.com/bilddb/cax_de.aspx?mlfb=3SF1324-1SD21-1BA3&lang=en





| | | |
|---|---|-------|
| 1 | → | ASI + |
| 2 | → | n. c. |
| 3 | → | ASI - |
| 4 | → | n. c. |

last modified:

03/10/2020