

30mm Command/52, Chrome Finish Heavy Duty, Watertight/Oiltight Complete Metal Unit Illuminated Push-Pull Operator Transformer type, 240V AC LED Lamp Mushroom Head Cap Small 1 3/4" (44.5 mm) Metal, Chrome with Blue Lens 3 Position Momentary 1 N.C.+1 N.C. Extra Late Break Heavy Duty Contacts, A600/P600 UL Listed, CSA Certified NEMA 1,3,3R,4,4X,12,13 & Automotive Standards

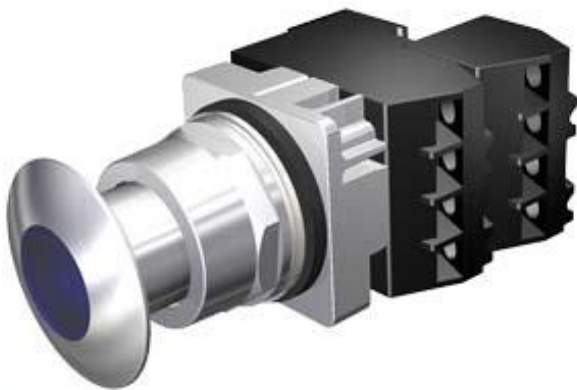


Figure similar

Enclosure	
Number of command points	1
Delivery state	
• as a kit	No
Actuator	
Product extension optional Light source	Yes
Number of contact modules	2
Type of unlocking device	without
Number of switching positions	3
Front ring	
Product component front ring	Yes
Design of the front ring	standard
Material of the front ring	metal
Contact block/ lampholder	
Number of lampholders	1
Display	

Number of LED modules	1
-----------------------	---

General technical data

Product function	
<ul style="list-style-type: none"> • positive opening 	No
Product component	
<ul style="list-style-type: none"> • lamp transformer 	Yes
<ul style="list-style-type: none"> • Light source 	Yes
Insulation voltage	
<ul style="list-style-type: none"> • rated value 	600 V
Type of voltage	
<ul style="list-style-type: none"> • of the operating voltage 	AC
<ul style="list-style-type: none"> • of the input voltage 	AC
Surge voltage resistance rated value	4 kV
Protection class IP	IP66
<ul style="list-style-type: none"> • of the terminal 	IP20
Thermal current	10 A

Supply voltage

Type of voltage of the supply voltage	
<ul style="list-style-type: none"> • of the light source 	AC
Supply voltage of the light source at AC	
<ul style="list-style-type: none"> • at 60 Hz rated value 	6 V

Auxiliary circuit

Number of NC contacts for auxiliary contacts	2
Number of NO contacts for auxiliary contacts	0
Operating current at AC-15	
<ul style="list-style-type: none"> • at 110 V rated value 	60 A
<ul style="list-style-type: none"> • at 230 V rated value 	30 A
<ul style="list-style-type: none"> • at 400 V rated value 	15 A
<ul style="list-style-type: none"> • at 500 V rated value 	12 A

Inputs/ Outputs

Output voltage 1 of the lamp transformer rated value	6 V
---	-----

Connections/ Terminals

Type of electrical connection	screw-type terminals
Tightening torque of the screws in the bracket	20 N·m
Tightening torque [lbf·in]	
<ul style="list-style-type: none"> • with screw-type terminals 	8 ... 8 lbf·in

Lamp

Color of the light source	blue
----------------------------------	------

Ambient conditions

Ambient temperature	
----------------------------	--

- during operation
- during storage

-35 ... +70 °C

-40 ... +85 °C

Installation/ mounting/ dimensions

Shape of the installation opening

round

Certificates/ approvals

Further information

Information- and Downloadcenter (Catalogs, Brochures,...)

<https://www.siemens.com/ic10>

Industry Mall (Online ordering system)

<https://mall.industry.siemens.com/mall/en/en/Catalog/product?mlfb=US2:52PP3H5UB>

Cax online generator

<http://support.automation.siemens.com/WW/CAXorder/default.aspx?lang=en&mlfb=US2:52PP3H5UB>

Service&Support (Manuals, Certificates, Characteristics, FAQs,...)

<https://support.industry.siemens.com/cs/ww/en/ps/US2:52PP3H5UB>

Image database (product images, 2D dimension drawings, 3D models, device circuit diagrams, EPLAN macros, ...)

http://www.automation.siemens.com/bilddb/cax_de.aspx?mlfb=US2:52PP3H5UB&lang=en

last modified:

02/14/2020