

Power contactor, AC-3 9 A, 4 kW / 400 V 1 NO, 200 V AC, 50 Hz  
200-220 V, 60 Hz, 3-pole, Size S00, ring cable lug connection



Product brand name	SIRIUS
Product designation	Power contactor
Product type designation	3RT2
<b>General technical data</b>	
Size of contactor	S00
Product extension	
<ul style="list-style-type: none"> <li>function module for communication</li> </ul>	No
<ul style="list-style-type: none"> <li>Auxiliary switch</li> </ul>	Yes
Surge voltage resistance	
<ul style="list-style-type: none"> <li>of main circuit rated value</li> </ul>	6 kV
<ul style="list-style-type: none"> <li>of auxiliary circuit rated value</li> </ul>	6 kV
maximum permissible voltage for safe isolation	
<ul style="list-style-type: none"> <li>between coil and main contacts acc. to EN 60947-1</li> </ul>	400 V
Protection class IP	
<ul style="list-style-type: none"> <li>on the front</li> </ul>	IP00
<ul style="list-style-type: none"> <li>of the terminal</li> </ul>	IP00
Shock resistance at rectangular impulse	
<ul style="list-style-type: none"> <li>at AC</li> </ul>	6,7g / 5 ms, 4,2g / 10 ms

<b>Shock resistance with sine pulse</b>	
<ul style="list-style-type: none"> <li>• at AC</li> </ul>	10,5g / 5 ms, 6,6g / 10 ms
<b>Mechanical service life (switching cycles)</b>	
<ul style="list-style-type: none"> <li>• of contactor typical</li> </ul>	30 000 000
<ul style="list-style-type: none"> <li>• of the contactor with added electronics-compatible auxiliary switch block typical</li> </ul>	5 000 000
<ul style="list-style-type: none"> <li>• of the contactor with added auxiliary switch block typical</li> </ul>	10 000 000
<b>Reference code acc. to DIN 40719 extended according to IEC 204-2 acc. to IEC 750</b>	K
<b>Reference code acc. to DIN EN 81346-2</b>	Q

### Ambient conditions

<b>Installation altitude at height above sea level</b>	
<ul style="list-style-type: none"> <li>• maximum</li> </ul>	2 000 m
<b>Ambient temperature</b>	
<ul style="list-style-type: none"> <li>• during operation</li> </ul>	-25 ... +60 °C
<ul style="list-style-type: none"> <li>• during storage</li> </ul>	-55 ... +80 °C

### Main circuit

<b>Number of poles for main current circuit</b>	3
<b>Number of NO contacts for main contacts</b>	3
<b>Operating voltage</b>	
<ul style="list-style-type: none"> <li>• at AC-3 rated value maximum</li> </ul>	690 V
<b>Operating current</b>	
<ul style="list-style-type: none"> <li>• at AC-1 at 400 V <ul style="list-style-type: none"> <li>— at ambient temperature 40 °C rated value</li> </ul> </li> </ul>	22 A
<ul style="list-style-type: none"> <li>• at AC-1 <ul style="list-style-type: none"> <li>— up to 690 V at ambient temperature 40 °C rated value</li> </ul> </li> </ul>	22 A
<ul style="list-style-type: none"> <li>— up to 690 V at ambient temperature 60 °C rated value</li> </ul>	20 A
<ul style="list-style-type: none"> <li>• at AC-2 at 400 V rated value</li> </ul>	9 A
<ul style="list-style-type: none"> <li>• at AC-3 <ul style="list-style-type: none"> <li>— at 400 V rated value</li> </ul> </li> </ul>	9 A
<ul style="list-style-type: none"> <li>— at 500 V rated value</li> </ul>	7.7 A
<ul style="list-style-type: none"> <li>— at 690 V rated value</li> </ul>	6.7 A
<ul style="list-style-type: none"> <li>• at AC-4 at 400 V rated value</li> </ul>	8.5 A
<ul style="list-style-type: none"> <li>• at AC-5a up to 690 V rated value</li> </ul>	19.4 A
<ul style="list-style-type: none"> <li>• at AC-5b up to 400 V rated value</li> </ul>	7.4 A
<ul style="list-style-type: none"> <li>• at AC-6a <ul style="list-style-type: none"> <li>— up to 230 V for current peak value n=20 rated value</li> </ul> </li> </ul>	5.3 A

— up to 400 V for current peak value n=20 rated value	5.3 A
— up to 500 V for current peak value n=20 rated value	5.3 A
— up to 690 V for current peak value n=20 rated value	5 A
• at AC-6a	
— up to 230 V for current peak value n=30 rated value	3.5 A
— up to 400 V for current peak value n=30 rated value	3.5 A
— up to 500 V for current peak value n=30 rated value	3.6 A
— up to 690 V for current peak value n=30 rated value	3.3 A
<b>Minimum cross-section in main circuit</b>	
• at maximum AC-1 rated value	4 mm <sup>2</sup>
<b>Operating current for approx. 200000 operating cycles at AC-4</b>	
• at 400 V rated value	4.1 A
• at 690 V rated value	3.3 A
<b>Operating current</b>	
• at 1 current path at DC-1	
— at 24 V rated value	20 A
— at 110 V rated value	2.1 A
— at 220 V rated value	0.8 A
— at 440 V rated value	0.6 A
— at 600 V rated value	0.6 A
• with 2 current paths in series at DC-1	
— at 24 V rated value	20 A
— at 110 V rated value	12 A
— at 220 V rated value	1.6 A
— at 440 V rated value	0.8 A
— at 600 V rated value	0.7 A
• with 3 current paths in series at DC-1	
— at 24 V rated value	20 A
— at 110 V rated value	20 A
— at 220 V rated value	20 A
— at 440 V rated value	1.3 A
— at 600 V rated value	1 A
<b>Operating current</b>	
• at 1 current path at DC-3 at DC-5	
— at 24 V rated value	20 A

<ul style="list-style-type: none"> <li>— at 110 V rated value</li> <li>• with 2 current paths in series at DC-3 at DC-5 <ul style="list-style-type: none"> <li>— at 24 V rated value</li> <li>— at 110 V rated value</li> </ul> </li> <li>• with 3 current paths in series at DC-3 at DC-5 <ul style="list-style-type: none"> <li>— at 24 V rated value</li> <li>— at 110 V rated value</li> <li>— at 220 V rated value</li> <li>— at 440 V rated value</li> <li>— at 600 V rated value</li> </ul> </li> </ul>	<p>0.1 A</p> <p>20 A</p> <p>0.35 A</p> <p>20 A</p> <p>20 A</p> <p>1.5 A</p> <p>0.2 A</p> <p>0.2 A</p>
<b>Operating power</b>	
<ul style="list-style-type: none"> <li>• at AC-1 <ul style="list-style-type: none"> <li>— at 230 V rated value</li> <li>— at 230 V at 60 °C rated value</li> <li>— at 400 V rated value</li> <li>— at 400 V at 60 °C rated value</li> <li>— at 690 V rated value</li> <li>— at 690 V at 60 °C rated value</li> </ul> </li> <li>• at AC-2 at 400 V rated value</li> <li>• at AC-3 <ul style="list-style-type: none"> <li>— at 230 V rated value</li> <li>— at 400 V rated value</li> <li>— at 500 V rated value</li> <li>— at 690 V rated value</li> </ul> </li> </ul>	<p>7.5 kW</p> <p>7.5 kW</p> <p>13 kW</p> <p>13 kW</p> <p>22 kW</p> <p>22 kW</p> <p>4 kW</p> <p>2.2 kW</p> <p>4 kW</p> <p>4 kW</p> <p>5.5 kW</p>
<b>Operating power for approx. 200000 operating cycles at AC-4</b>	
<ul style="list-style-type: none"> <li>• at 400 V rated value</li> <li>• at 690 V rated value</li> </ul>	<p>2 kW</p> <p>2.5 kW</p>
<b>Thermal short-time current limited to 10 s</b>	72 A
<b>Power loss [W] at AC-3 at 400 V for rated value of the operating current per conductor</b>	0.7 W
<b>No-load switching frequency</b>	
<ul style="list-style-type: none"> <li>• at AC</li> </ul>	10 000 1/h
<b>Operating frequency</b>	
<ul style="list-style-type: none"> <li>• at AC-1 maximum</li> <li>• at AC-2 maximum</li> <li>• at AC-3 maximum</li> <li>• at AC-4 maximum</li> </ul>	<p>1 000 1/h</p> <p>750 1/h</p> <p>750 1/h</p> <p>250 1/h</p>
<b>Control circuit/ Control</b>	
<b>Type of voltage of the control supply voltage</b>	AC
<b>Control supply voltage at AC</b>	

<ul style="list-style-type: none"> <li>• at 50 Hz rated value</li> <li>• at 60 Hz rated value</li> </ul>	200 V 220 V
<b>Operating range factor control supply voltage rated value of magnet coil at AC</b> <ul style="list-style-type: none"> <li>• at 50 Hz</li> <li>• at 60 Hz</li> </ul>	0.8 ... 1.1 0.85 ... 1.1
<b>Apparent pick-up power of magnet coil at AC</b> <ul style="list-style-type: none"> <li>• at 50 Hz</li> <li>• at 60 Hz</li> </ul>	26.4 V·A 31.7 V·A
<b>Inductive power factor with closing power of the coil</b> <ul style="list-style-type: none"> <li>• at 50 Hz</li> <li>• at 60 Hz</li> </ul>	0.81 0.81
<b>Apparent holding power of magnet coil at AC</b> <ul style="list-style-type: none"> <li>• at 50 Hz</li> <li>• at 60 Hz</li> </ul>	4.4 V·A 4.8 V·A
<b>Inductive power factor with the holding power of the coil</b> <ul style="list-style-type: none"> <li>• at 50 Hz</li> <li>• at 60 Hz</li> </ul>	0.24 0.25
<b>Closing delay</b> <ul style="list-style-type: none"> <li>• at AC</li> </ul>	9 ... 35 ms
<b>Opening delay</b> <ul style="list-style-type: none"> <li>• at AC</li> </ul>	3.5 ... 14 ms
<b>Arcing time</b>	10 ... 15 ms
<b>Control version of the switch operating mechanism</b>	Standard A1 - A2

#### Auxiliary circuit

<b>Number of NO contacts for auxiliary contacts</b> <ul style="list-style-type: none"> <li>• instantaneous contact</li> </ul>	1
<b>Operating current at AC-12 maximum</b>	10 A
<b>Operating current at AC-15</b> <ul style="list-style-type: none"> <li>• at 230 V rated value</li> <li>• at 400 V rated value</li> <li>• at 500 V rated value</li> <li>• at 690 V rated value</li> </ul>	10 A 3 A 2 A 1 A
<b>Operating current at DC-12</b> <ul style="list-style-type: none"> <li>• at 24 V rated value</li> <li>• at 48 V rated value</li> <li>• at 60 V rated value</li> <li>• at 110 V rated value</li> <li>• at 125 V rated value</li> <li>• at 220 V rated value</li> <li>• at 600 V rated value</li> </ul>	10 A 6 A 6 A 3 A 2 A 1 A 0.15 A

<b>Operating current at DC-13</b>	
<ul style="list-style-type: none"> <li>• at 24 V rated value</li> <li>• at 48 V rated value</li> <li>• at 60 V rated value</li> <li>• at 110 V rated value</li> <li>• at 125 V rated value</li> <li>• at 220 V rated value</li> <li>• at 600 V rated value</li> </ul>	<p>10 A</p> <p>2 A</p> <p>2 A</p> <p>1 A</p> <p>0.9 A</p> <p>0.3 A</p> <p>0.1 A</p>
<b>Contact reliability of auxiliary contacts</b>	1 faulty switching per 100 million (17 V, 1 mA)

### UL/CSA ratings

<b>Full-load current (FLA) for three-phase AC motor</b>	
<ul style="list-style-type: none"> <li>• at 480 V rated value</li> <li>• at 600 V rated value</li> </ul>	<p>7.6 A</p> <p>9 A</p>
<b>Yielded mechanical performance [hp]</b>	
<ul style="list-style-type: none"> <li>• for single-phase AC motor <ul style="list-style-type: none"> <li>— at 110/120 V rated value</li> <li>— at 230 V rated value</li> </ul> </li> <li>• for three-phase AC motor <ul style="list-style-type: none"> <li>— at 200/208 V rated value</li> <li>— at 220/230 V rated value</li> <li>— at 460/480 V rated value</li> <li>— at 575/600 V rated value</li> </ul> </li> </ul>	<p>0.33 hp</p> <p>1 hp</p> <p>2 hp</p> <p>3 hp</p> <p>5 hp</p> <p>7.5 hp</p>
<b>Contact rating of auxiliary contacts according to UL</b>	A600 / Q600

### Short-circuit protection

<b>Design of the fuse link</b>	
<ul style="list-style-type: none"> <li>• for short-circuit protection of the main circuit <ul style="list-style-type: none"> <li>— with type of coordination 1 required</li> <li>— with type of assignment 2 required</li> </ul> </li> <li>• for short-circuit protection of the auxiliary switch required</li> </ul>	<p>gG: 35A (690V,100kA), aM: 20A (690V,100kA), BS88: 35A (415V,80kA)</p> <p>gG: 20A (690V,100kA), aM: 16A (690V, 100kA), BS88: 20A (415V, 80kA)</p> <p>gG: 10 A (500 V, 1 kA)</p>

### Installation/ mounting/ dimensions

<b>Mounting position</b>	+/-180° rotation possible on vertical mounting surface; can be tilted forward and backward by +/- 22.5° on vertical mounting surface
<b>Mounting type</b>	screw and snap-on mounting onto 35 mm standard mounting rail according to DIN EN 60715
<ul style="list-style-type: none"> <li>• Side-by-side mounting</li> </ul>	Yes
<b>Height</b>	58 mm
<b>Width</b>	45 mm
<b>Depth</b>	73 mm

Required spacing	
<ul style="list-style-type: none"> <li>• with side-by-side mounting <ul style="list-style-type: none"> <li>— forwards 10 mm</li> <li>— upwards 10 mm</li> <li>— downwards 10 mm</li> <li>— at the side 0 mm</li> </ul> </li> <li>• for grounded parts <ul style="list-style-type: none"> <li>— forwards 10 mm</li> <li>— upwards 10 mm</li> <li>— at the side 6 mm</li> <li>— downwards 10 mm</li> </ul> </li> <li>• for live parts <ul style="list-style-type: none"> <li>— forwards 10 mm</li> <li>— upwards 10 mm</li> <li>— downwards 10 mm</li> <li>— at the side 6 mm</li> </ul> </li> </ul>	

### Connections/ Terminals

Type of electrical connection	
<ul style="list-style-type: none"> <li>• for main current circuit</li> <li>• for auxiliary and control current circuit</li> <li>• at contactor for auxiliary contacts</li> <li>• of magnet coil</li> </ul>	<ul style="list-style-type: none"> <li>Ring cable lug connection</li> <li>ring cable connection</li> <li>Ring cable lug connection</li> <li>Ring cable lug connection</li> </ul>

### Safety related data

<b>B10 value</b>	
<ul style="list-style-type: none"> <li>• with high demand rate acc. to SN 31920</li> </ul>	1 000 000
<b>Proportion of dangerous failures</b>	
<ul style="list-style-type: none"> <li>• with low demand rate acc. to SN 31920</li> <li>• with high demand rate acc. to SN 31920</li> </ul>	<ul style="list-style-type: none"> <li>40 %</li> <li>73 %</li> </ul>
<b>Failure rate [FIT]</b>	
<ul style="list-style-type: none"> <li>• with low demand rate acc. to SN 31920</li> </ul>	100 FIT
<b>Product function</b>	
<ul style="list-style-type: none"> <li>• Mirror contact acc. to IEC 60947-4-1</li> </ul>	Yes; with 3RH29
<b>T1 value for proof test interval or service life acc. to IEC 61508</b>	20 y

### Certificates/ approvals

General Product Approval	EMC
--------------------------	-----



[KC](#)



Functional Safety/Safety of Machinery	Declaration of Conformity	Test Certificates	Marine / Shipping
---------------------------------------	---------------------------	-------------------	-------------------

[Type Examination Certificate](#)



[Miscellaneous](#)

[Type Test Certificates/Test Report](#)

[Special Test Certificate](#)



Marine / Shipping
-------------------



other
-------

[Confirmation](#)



Further information
---------------------

**Information- and Downloadcenter (Catalogs, Brochures,...)**

[www.siemens.com/sirius/catalogs](http://www.siemens.com/sirius/catalogs)

**Industry Mall (Online ordering system)**

<https://mall.industry.siemens.com/mall/en/en/Catalog/product?mlfb=3RT2016-4AN61>

**Cax online generator**

<http://support.automation.siemens.com/WW/CAXorder/default.aspx?lang=en&mlfb=3RT2016-4AN61>

**Service&Support (Manuals, Certificates, Characteristics, FAQs,...)**

<https://support.industry.siemens.com/cs/ww/en/ps/3RT2016-4AN61>

**Image database (product images, 2D dimension drawings, 3D models, device circuit diagrams, EPLAN macros, ...)**

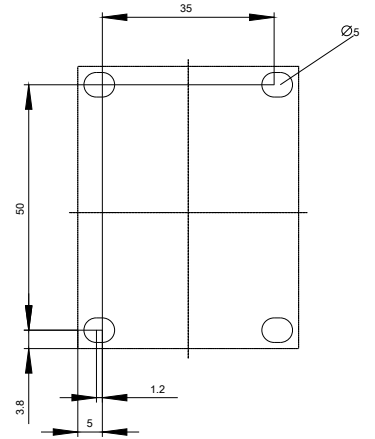
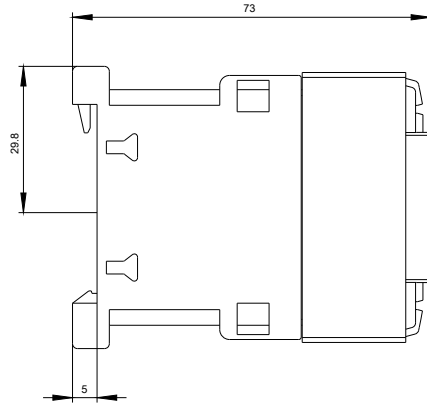
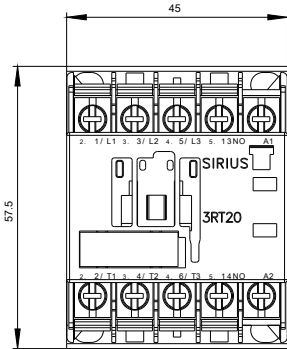
[http://www.automation.siemens.com/bilddb/cax\\_de.aspx?mlfb=3RT2016-4AN61&lang=en](http://www.automation.siemens.com/bilddb/cax_de.aspx?mlfb=3RT2016-4AN61&lang=en)

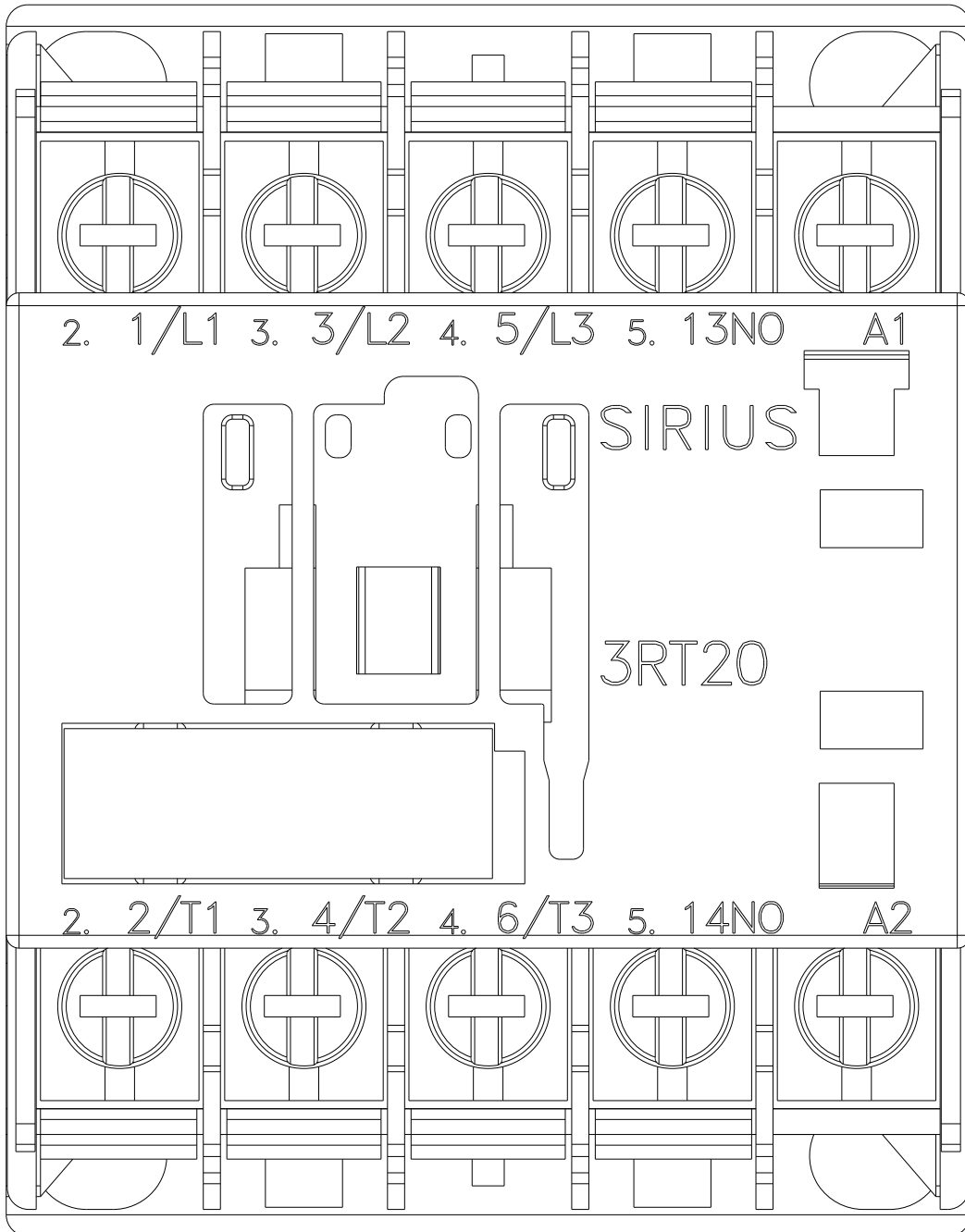
**Characteristic: Tripping characteristics, I<sup>2</sup>t, Let-through current**

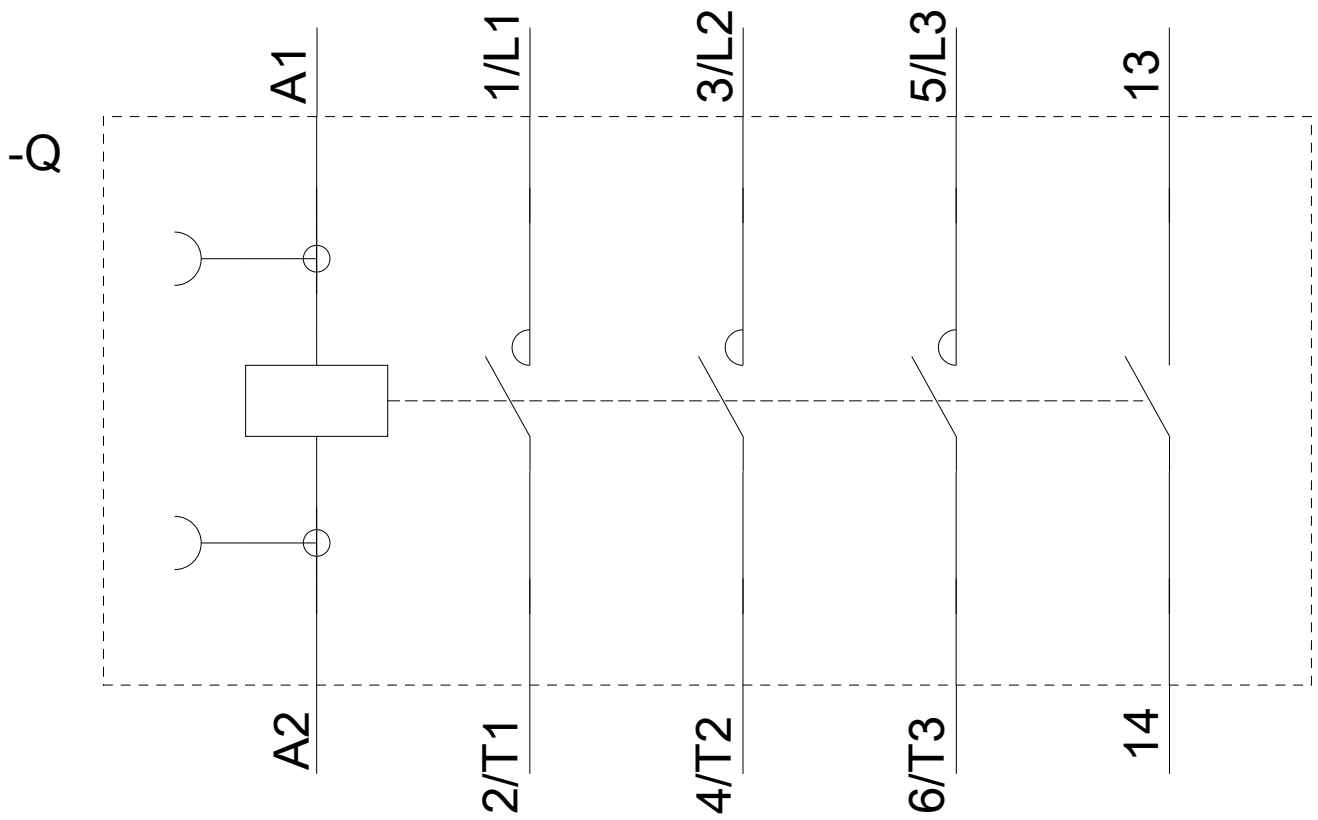
<https://support.industry.siemens.com/cs/ww/en/ps/3RT2016-4AN61/char>

**Further characteristics (e.g. electrical endurance, switching frequency)**

<http://www.automation.siemens.com/bilddb/index.aspx?view=Search&mlfb=3RT2016-4AN61&objecttype=14&gridview=view1>







last modified:

08/09/2019